

SENATOR

WALLSTREET

WALLSTREET PANELS

STANDARD FEATURES

(*Select models only)

- Full height panel*
- Demi height panel*
- Extruded aluminum frame
- Two adjustable height legs, 2.75" of adjustment
- Extruded aluminum top rail
- Extruded aluminum bottom rail with cable access
- Rectangular infill tiles

OPTIONAL FEATURES

- Panels with power
- Panels with power and data
- TFL, Fabric, and Steel infill tiles

COMPLEMENTARY OPTIONS

- Fabric screens
- Glass screens
- Panel mounted storage
- Mobile storage

PERFORMANCE STANDARDS

Designed to conform to and where applicable is tested to the following standards:

- BIFMA X5.5 : 2014
- BIFMA X5.6 : 2016
- SCS-EC10.3-2014 v. 3.0 Indoor Advantage Gold

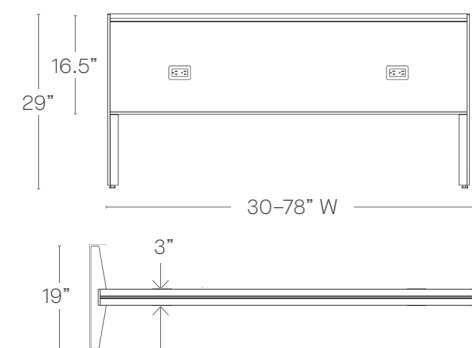
WALLSTREET PANELS

With every Senator design comes a great deal of thought. The design process starts way before pencil reaches paper, beginning with looking at you. We look at how you sit, reach, move, and work to create a design which not only looks beautiful, but is a pleasure to use too.

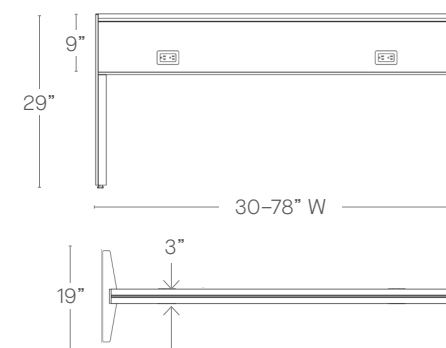
Behind every Senator product is a fusion of intelligent thinking and innovative engineering to create products which support people whether they're focusing, collaborating, presenting, or organizing.

DIMENSIONS

Full Height Panel



Demi Height Panel

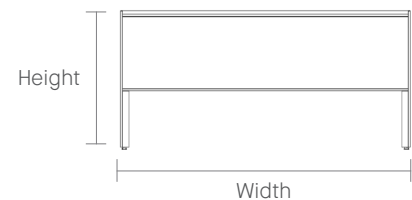
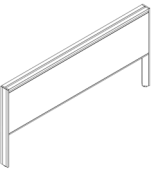


STATEMENT OF LINE

WALLSTREET FULL PANEL

● Available
□ Not available

Full Panel Without Power
29" Height

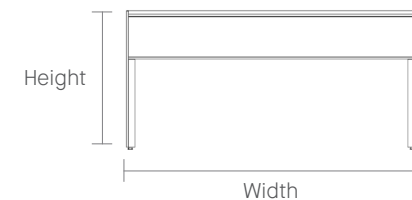
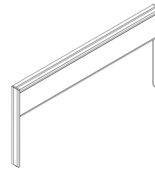



	30" W	36" W	42" W	48" W	54" W	60" W	66" W	72" W	78" W
29" H	●	●	●	●	●	●	●	●	●

WALLSTREET DEMI PANEL

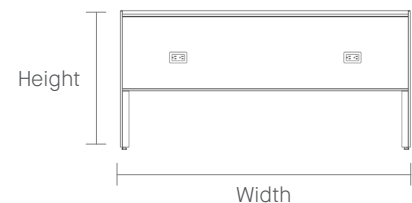
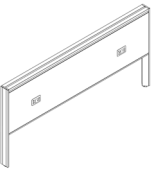
● Available
□ Not available

Demi Panel Without Power
29" Height

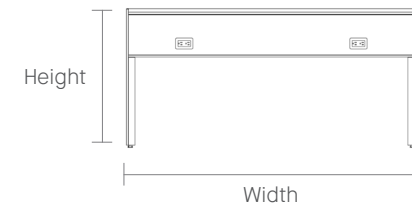
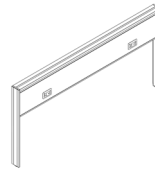
	30" W	36" W	42" W	48" W	54" W	60" W	66" W	72" W	78" W
29" H	●	●	●	●	●	●	●	●	●

Full Panel With Power
29" Height

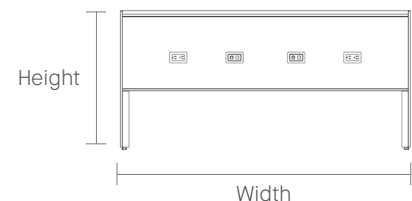
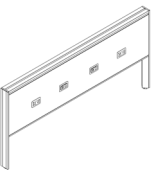
	48" W	54" W	60" W	66" W	72" W	78" W
29" H	●	●	●	●	●	●

Demi Panel With Power
29" Height

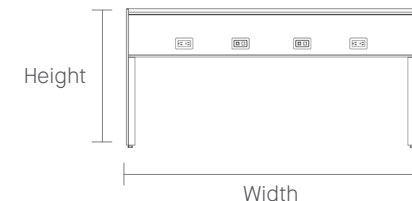
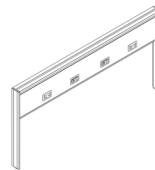
	48" W	54" W	60" W	66" W	72" W	78" W
29" H	●	●	●	●	●	●

Full Panel With Power and Data
29" Height

	48" W	54" W	60" W	66" W	72" W	78" W
29" H	●	●	●	●	●	●

Demi Panel With Power and Data
29" Height

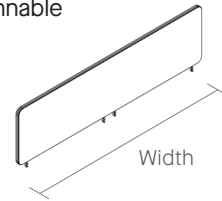
	48" W	54" W	60" W	66" W	72" W	78" W
29" H	●	●	●	●	●	●

WALLSTREET SCREENS

● Available
□ Not available

Frameless Fabric Screens

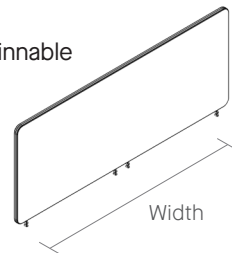
16" H Overall
45" A.F.F.
Pinnable or Non-Pinnable



30" W	36" W	42" W	48" W	54" W	60" W	66" W	72" W	78" W
●	●	●	●	●	●	●	●	●

Frameless Fabric Screens

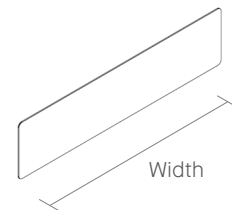
24" H Overall
53" A.F.F.
Pinnable or Non-Pinnable



30" W	36" W	42" W	48" W	54" W	60" W	66" W	72" W	78" W
●	●	●	●	●	●	●	●	●

Glass Screens

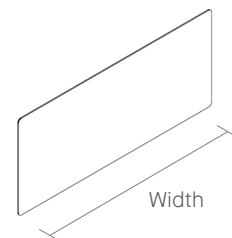
16" H Overall
45" A.F.F.



30" W	36" W	42" W	48" W	54" W	60" W	66" W	72" W	78" W
●	●	●	●	●	●	●	●	●

Glass Screens

24" H Overall
53" A.F.F.



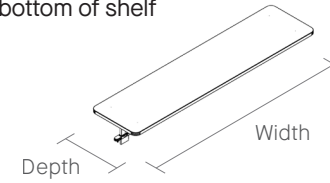
30" W	36" W	42" W	48" W	54" W	60" W	66" W	72" W	78" W
●	●	●	●	●	●	●	●	●

WALLSTREET PANEL MOUNTED ACCESSORIES AND STORAGE

● Available
□ Not available

Shelf

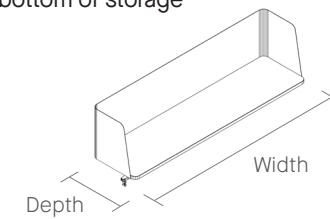
4.75" H overall, 4" H from rail to bottom of shelf
12" D



24" W	27" W	30" W	33" W	36" W	39" W	42" W
●	●	●	●	●	●	●
48" W	54" W	60" W	66" W	72" W	78" W	
●	●	●	●	●	●	

Open Storage

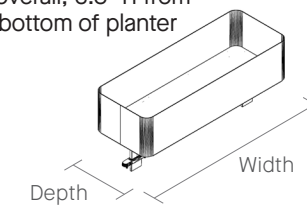
12" H overall, 4" H from rail to bottom of storage
12" D



24" W	27" W	30" W	33" W	36" W
●	●	●	●	●
39" W	42" W	48" W	54" W	60" W
●	●	●	●	●

Planter

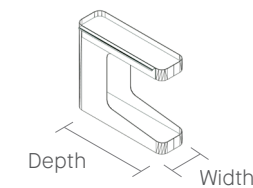
12" H overall, 3.5" H from rail to bottom of planter
12" D



24" W	27" W	30" W	33" W	36" W	39" W
●	●	●	●	●	●

WallStreet Panel Mount Storage Unit

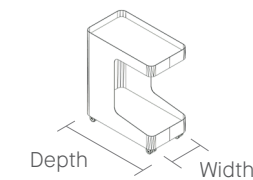
15.5" H



	Left Hand	Right Hand
5.75" W / 18" D	●	●

WallStreet Mobile Storage Unit

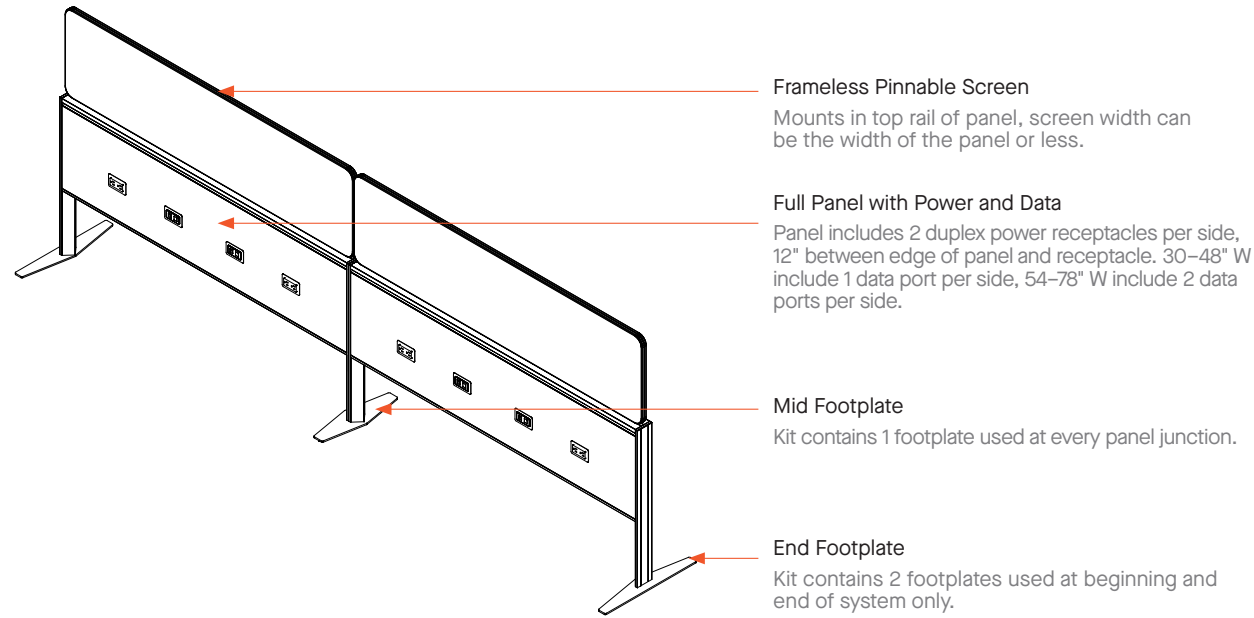
21" H



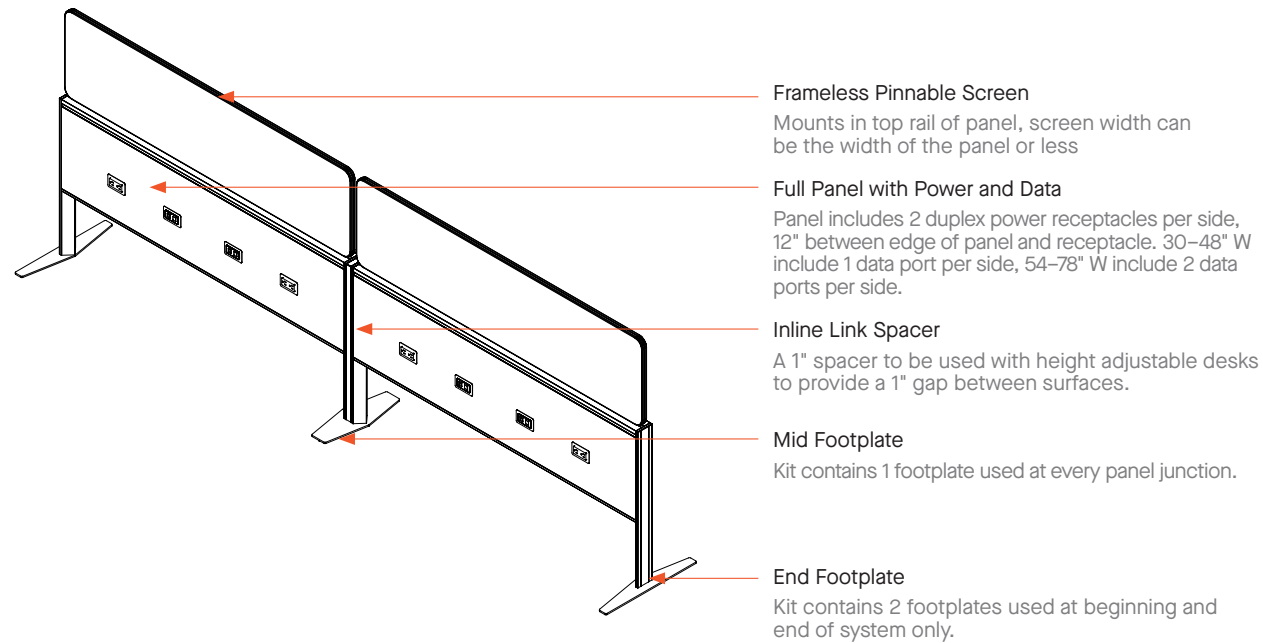
10" W / 18" D
●

WALLSTREET PANELS

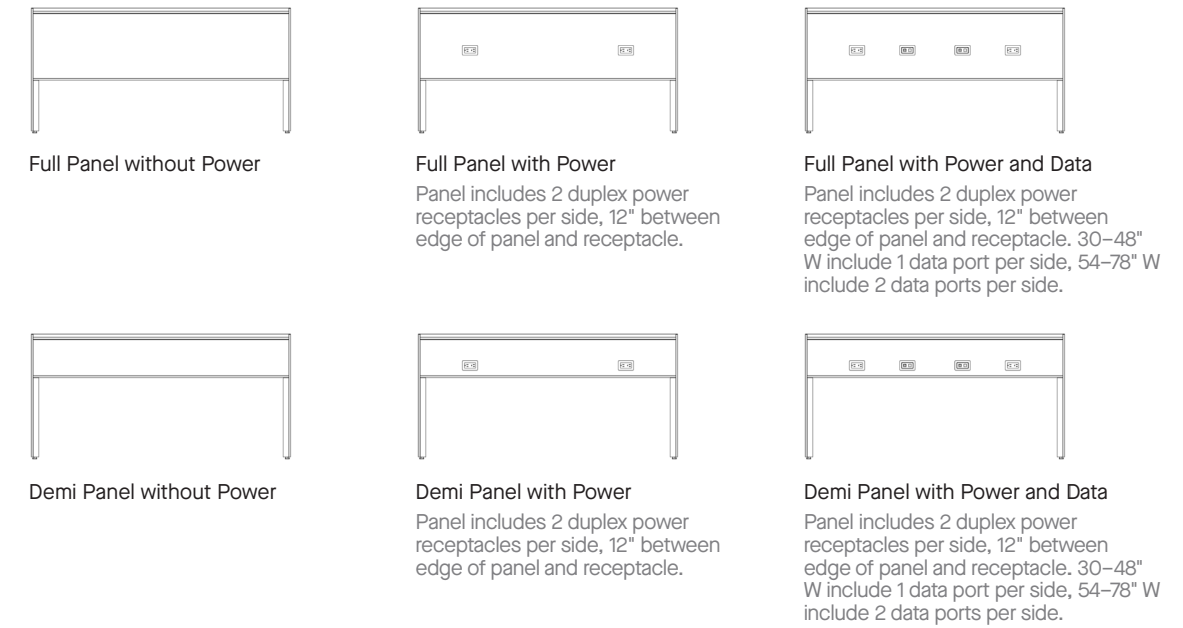
Freestanding or Fixed Height Desk Configuration



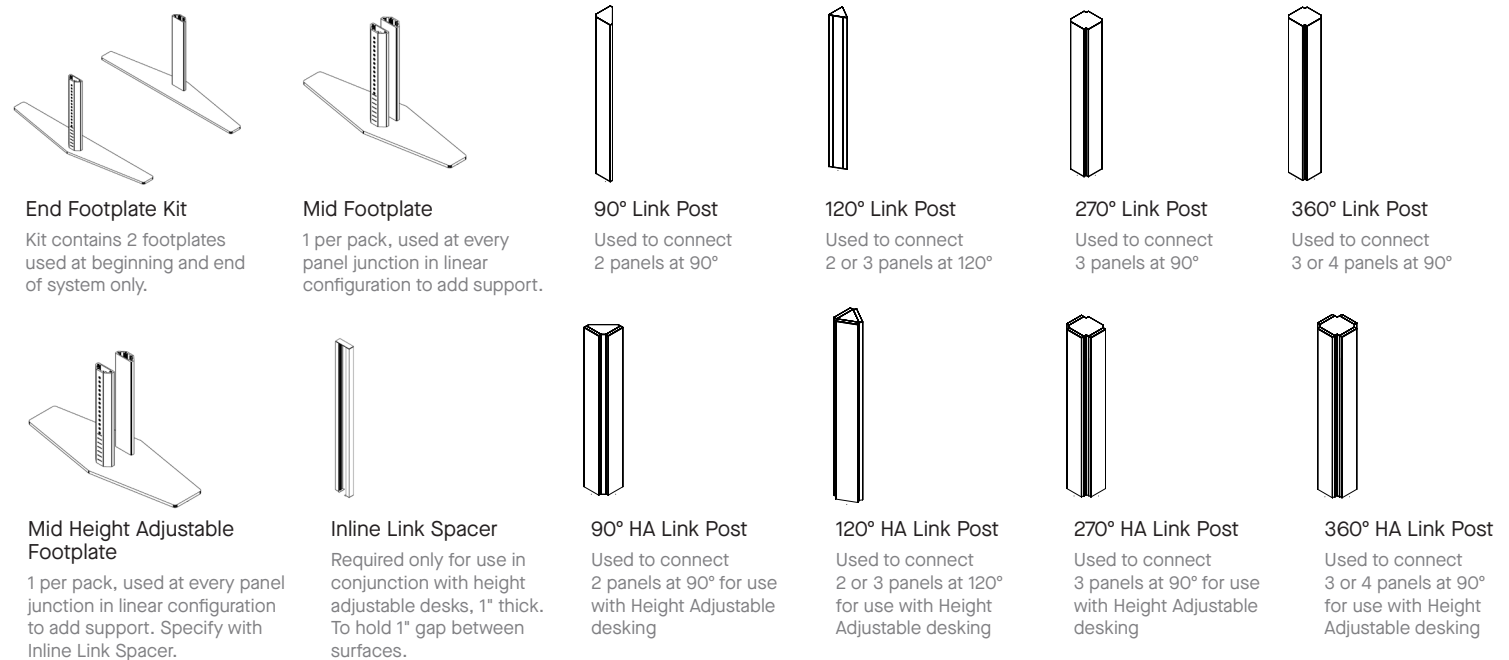
Height Adjustable Desk Configuration



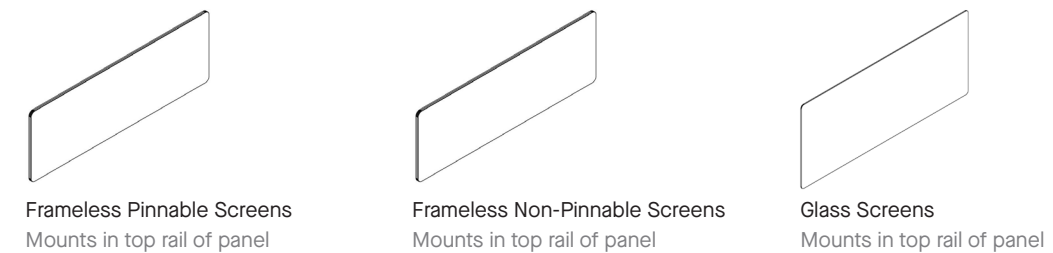
FRAMEWORK



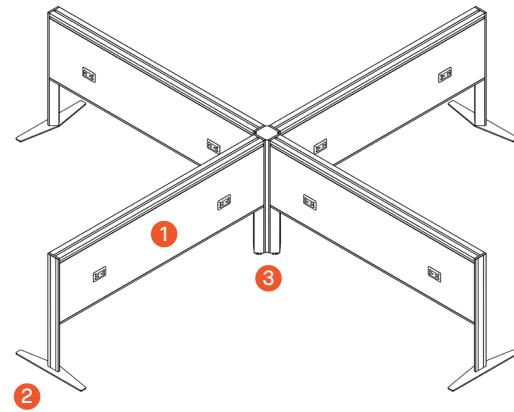
PANEL SUPPORT



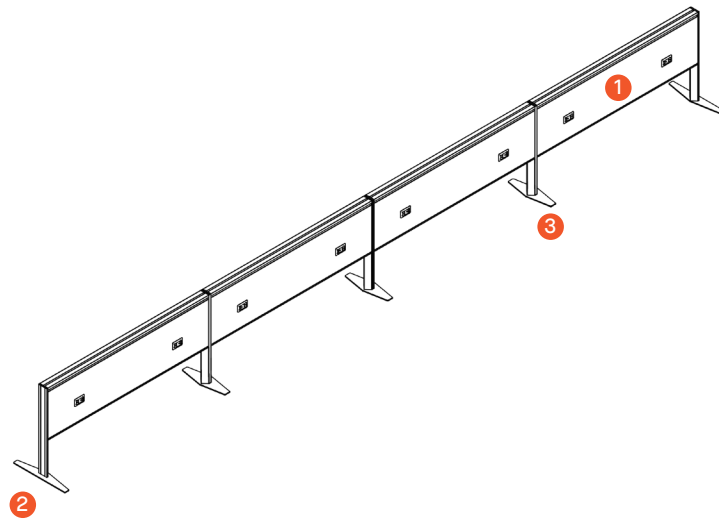
PANEL MOUNTED SCREENS



TYPICAL PANEL CONFIGURATION

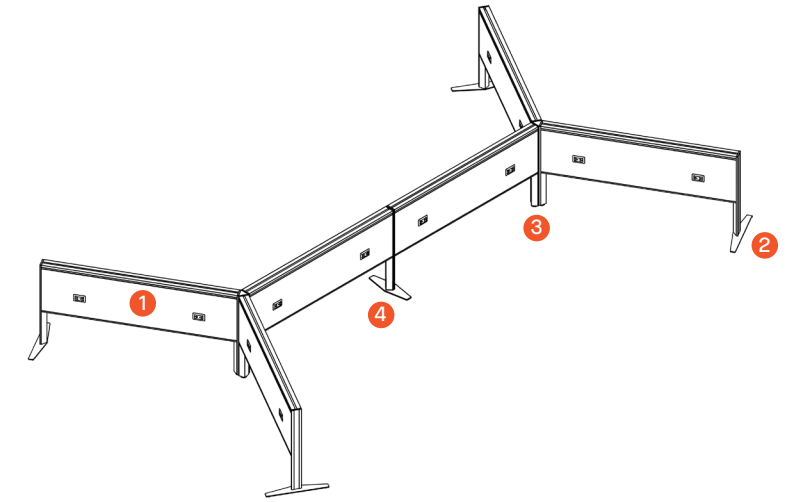


	Code	Description	QTY
1	WSFP60	Full Panel with Power	4
2	WSEFP	End Footplate Kit Supplied as 2 Per Pair	2
3	WSP360	360° Linking Post	1

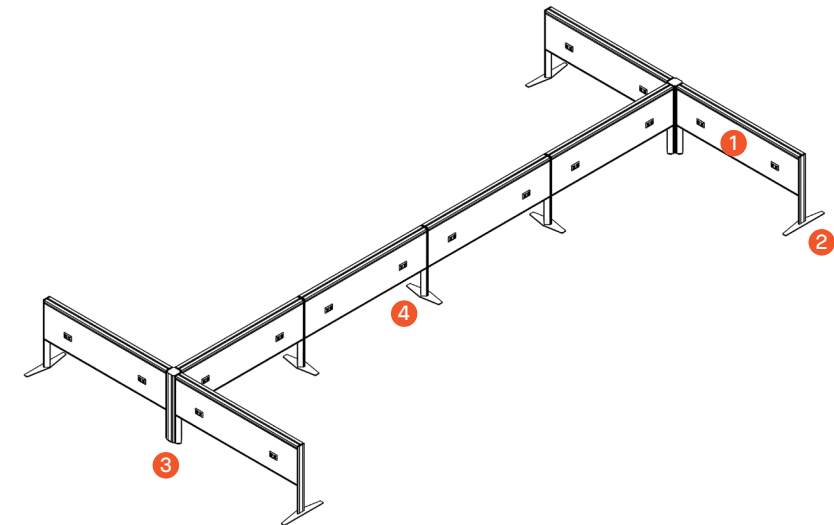


	Code	Description	QTY
1	WSFP60	Full Panel with Power	4
2	WSEFP	End Footplate Kit Supplied as 2 Per Pair	1
3	WSMFP	Mid Footplate Supplied as 1 Per Pack, Used for Fixed Desks	3

TYPICAL PANEL CONFIGURATION

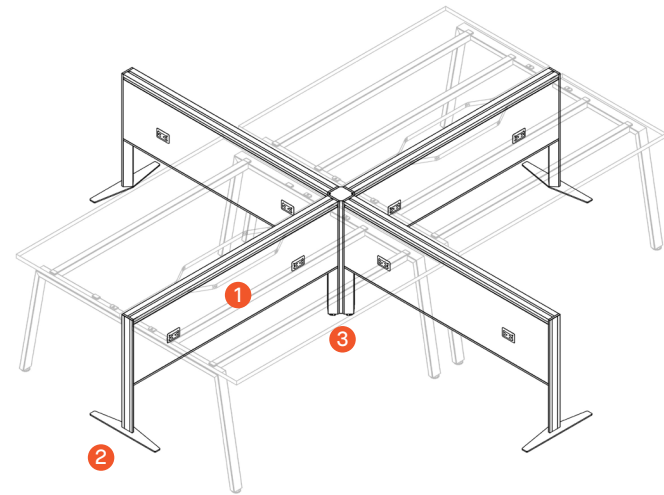


	Code	Description	QTY
1	WSFP60	Full Panel with Power	6
2	WSEFP	End Footplate Kit Supplied as 2 Per Pair	2
3	WSP120	120° Linking Post	2
4	WSMFP	Mid Footplate Supplied as 1 Per Pack, Used for Fixed Desks	1

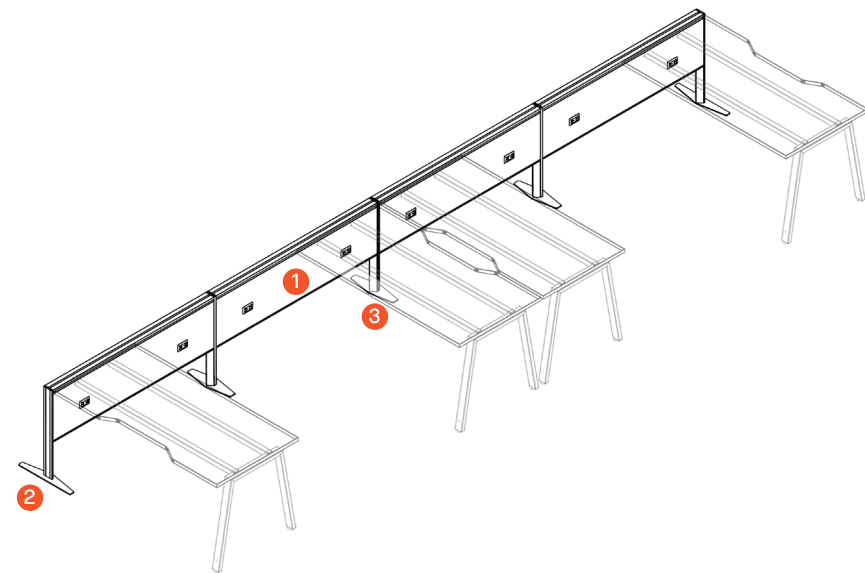


	Code	Description	QTY
1	WSFP60	Full Panel with Power	8
2	WSEFP	End Footplate Kit Supplied as 2 Per Pair	2
3	WSMFP	Mid Footplate Supplied as 1 Per Pack, Used for Fixed Desks	3
4	WSP270	270° Linking Post	2

TYPICAL PANEL CONFIGURATION FIXED DESKS

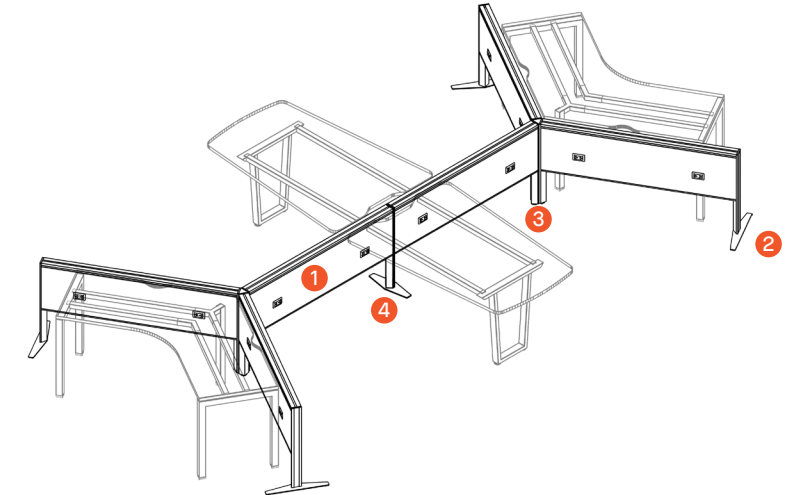


	Code	Description	QTY
1	WSFP60	Full Panel with Power	4
2	WSEFP	End Footplate Kit Supplied as 2 Per Pair	2
3	WSP360	360° Linking Post	1

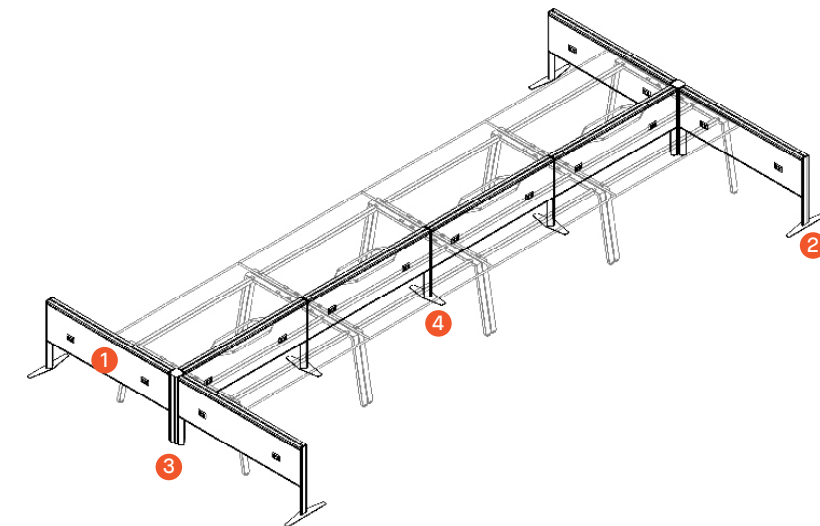


	Code	Description	QTY
1	WSFP60	Full Panel with Power	4
2	WSEFP	End Footplate Kit Supplied as 2 Per Pair	1
3	WSMFP	Mid Footplate Supplied as 1 Per Pack, Used for Fixed Desks	3

TYPICAL PANEL CONFIGURATION FIXED DESKS

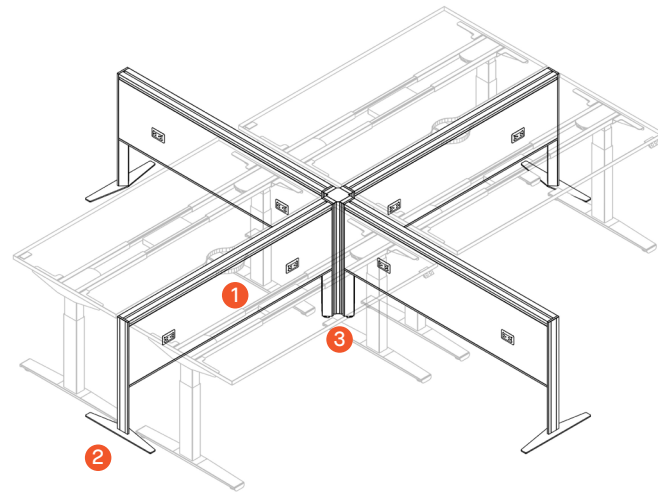


	Code	Description	QTY
1	WSFP60	Full Panel with Power	6
2	WSEFP	End Footplate Kit Supplied as 2 Per Pair	2
3	WSP120	120° Linking Post	2
4	WSMFP	Mid Footplate Supplied as 1 Per Pack, Used for Fixed Desks	1

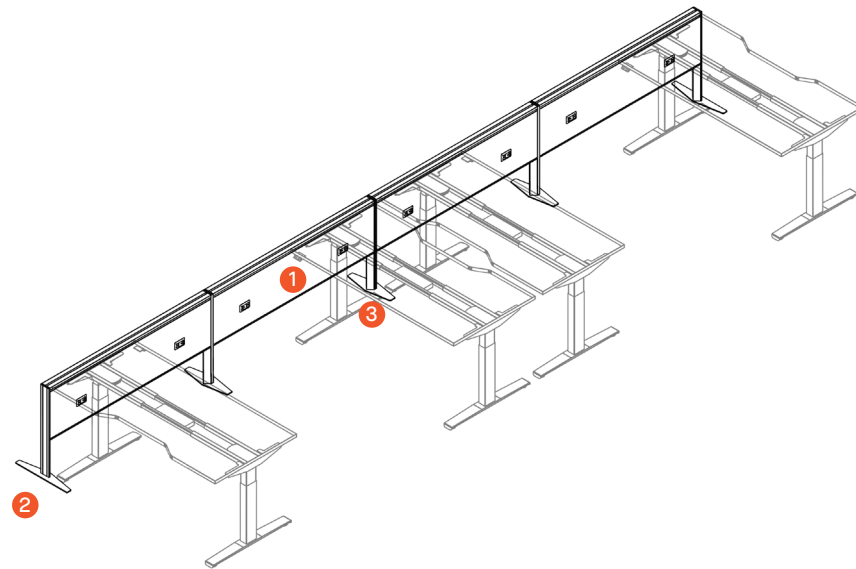


	Code	Description	QTY
1	WSFP60	Full Panel with Power	8
2	WSEFP	End Footplate Kit Supplied as 2 Per Pack, Used for Fixed Desks	2
3	WSP270	270° Linking Post	2
4	WSMFP	Mid Footplate Supplied as 1 Per Pack, Used for Fixed Desks	3

TYPICAL PANEL CONFIGURATION HA DESKS

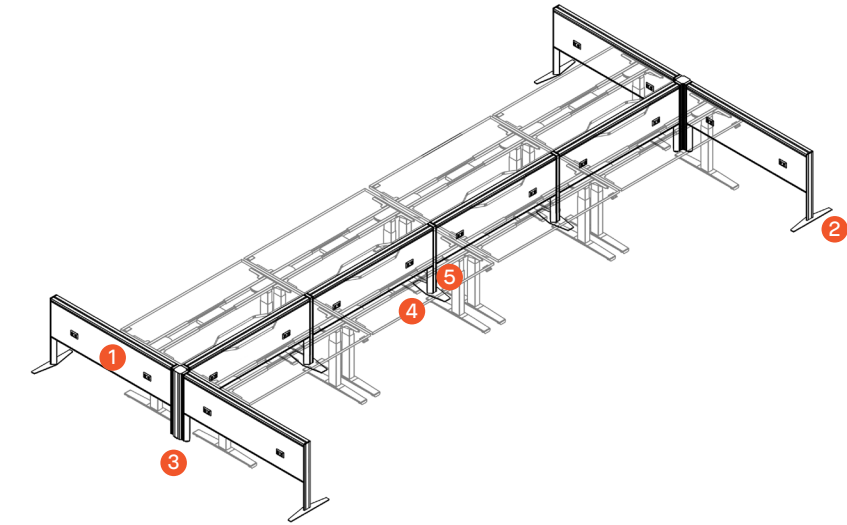


	Code	Description	QTY
1	WSFP60	Full Panel with Power	4
2	WSEFP	End Footplate Kit Supplied as 2 Per Pair	2
3	WSLPHA360	360° HA Linking Post	1



	Code	Description	QTY
1	WSFP60	Full Panel with Power	4
2	WSEFP	End Footplate Kit Supplied as 2 Per Pair	1
3	WSMFPHA	Mid Footplate Supplied as 1 Per Pack, Used for Fixed Desks or Perpendicular HA Desks	3

TYPICAL PANEL CONFIGURATION HA DESKS

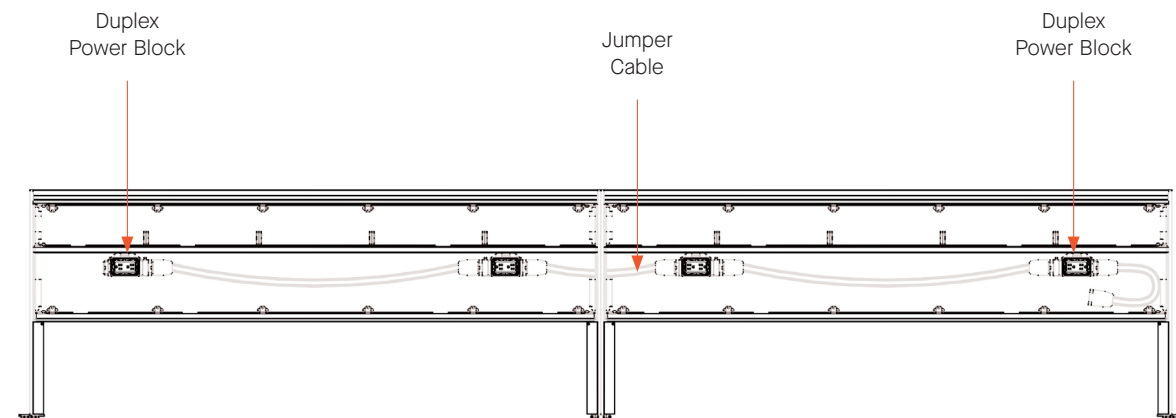
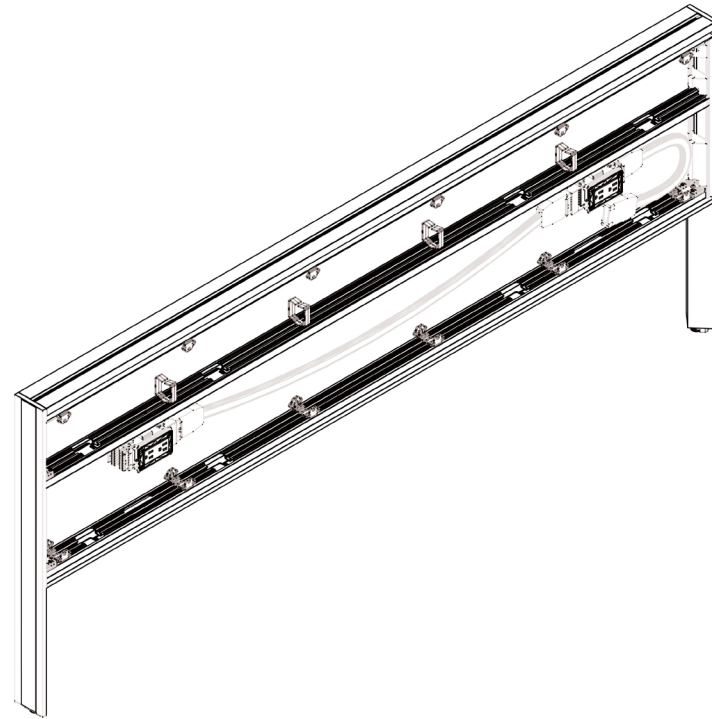
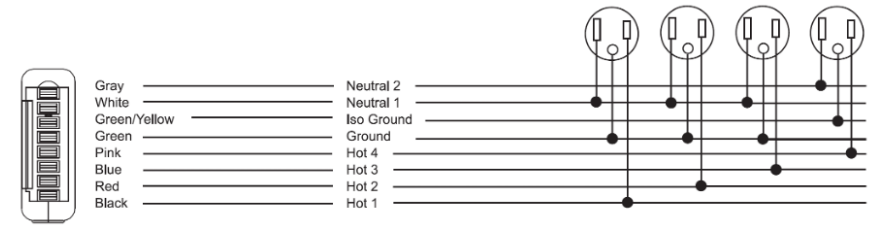


	Code	Description	QTY
1	WSFP60	Full Panel with Power	8
2	WSEFP	End Footplate Kit Supplied as 2 Per Pack, Used for Fixed Desks	2
3	WSLPHA270	270° HA Linking Post	2
4	WSMFPHA	Mid Foot Height Adjustable Footplate Supplied as 1 Per Pack, Used for Height Adjustable Desks	3
5	WSLSN	Inline Link Spacer	3

WIRING DIAGRAM

FULL PANEL WITH POWER

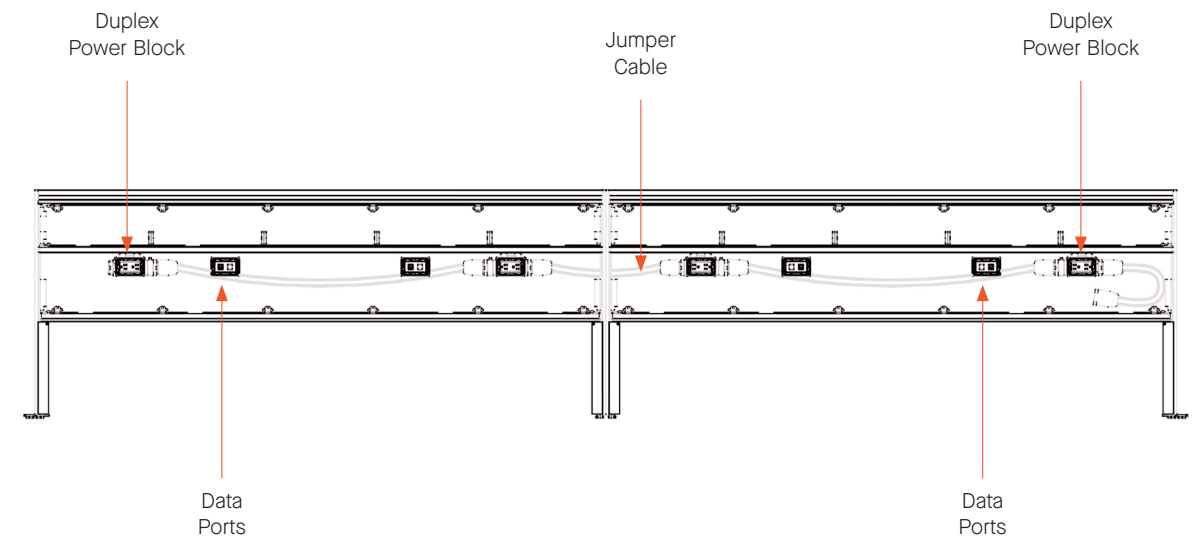
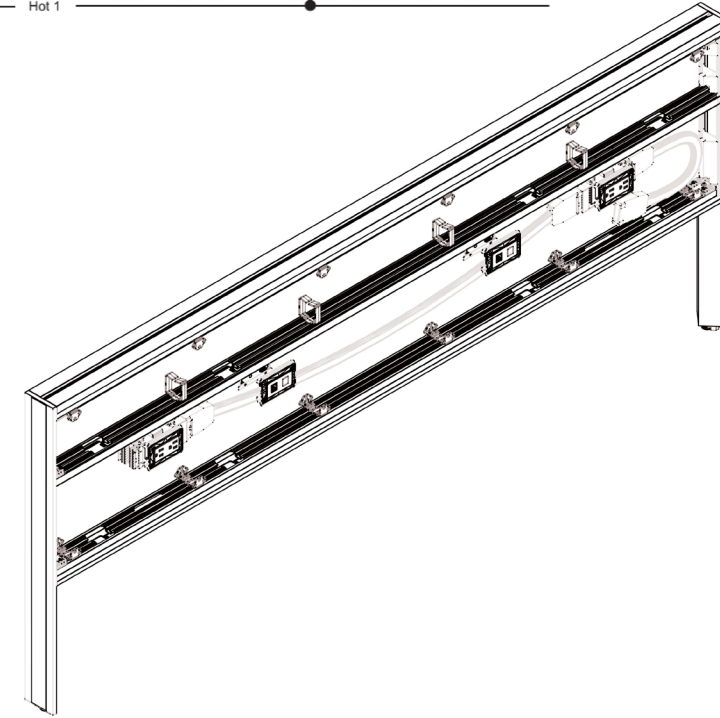
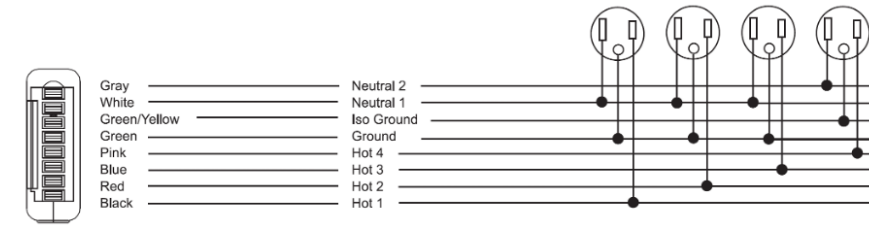
3+D Wiring Diagram 208/120V



WIRING DIAGRAM

FULL PANEL WITH POWER AND DATA

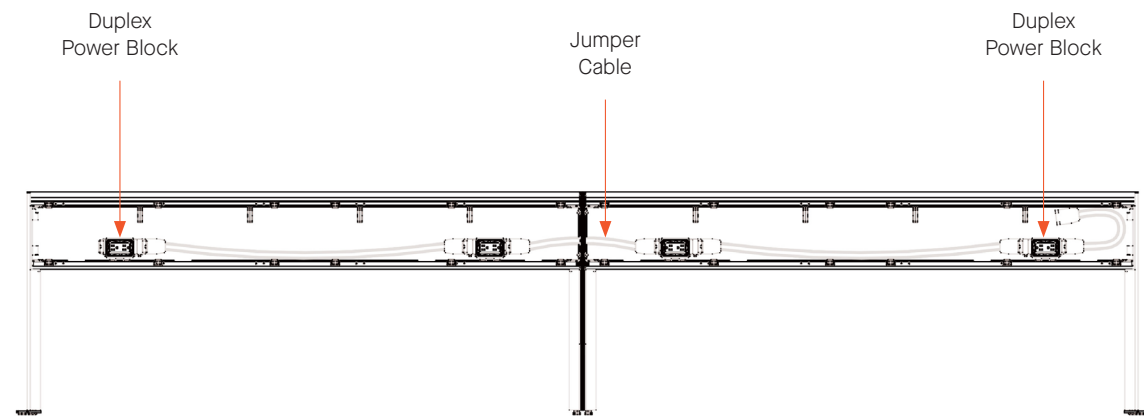
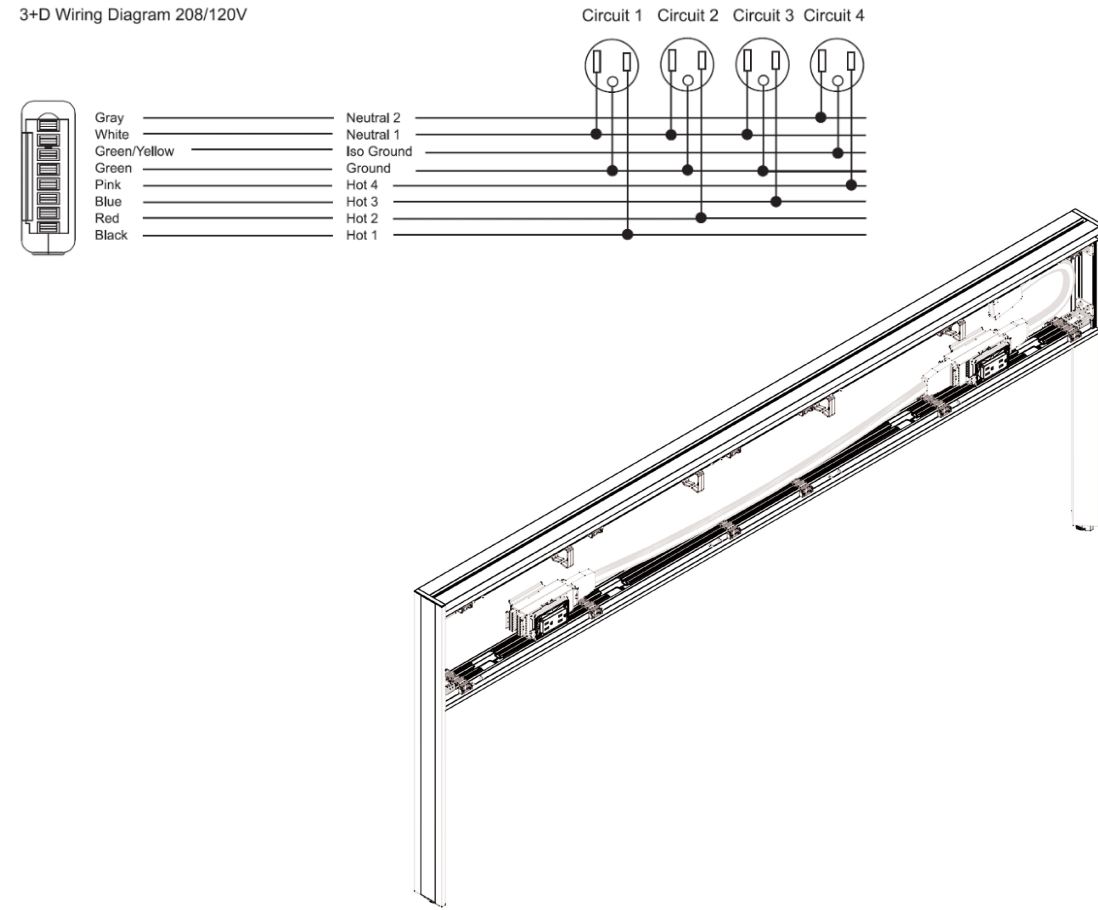
3+D Wiring Diagram 208/120V



WIRING DIAGRAM

DEMI PANEL WITH POWER

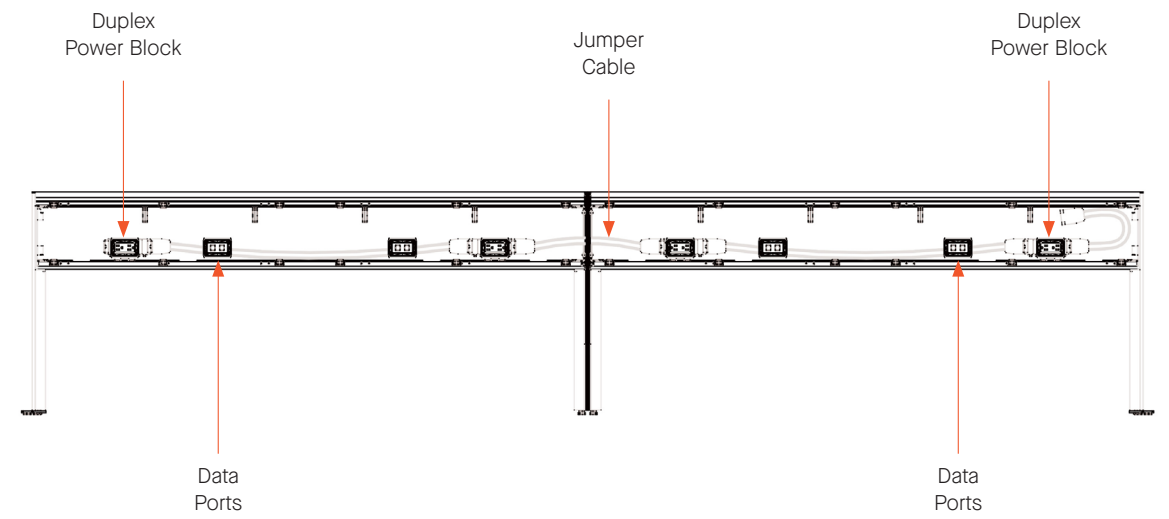
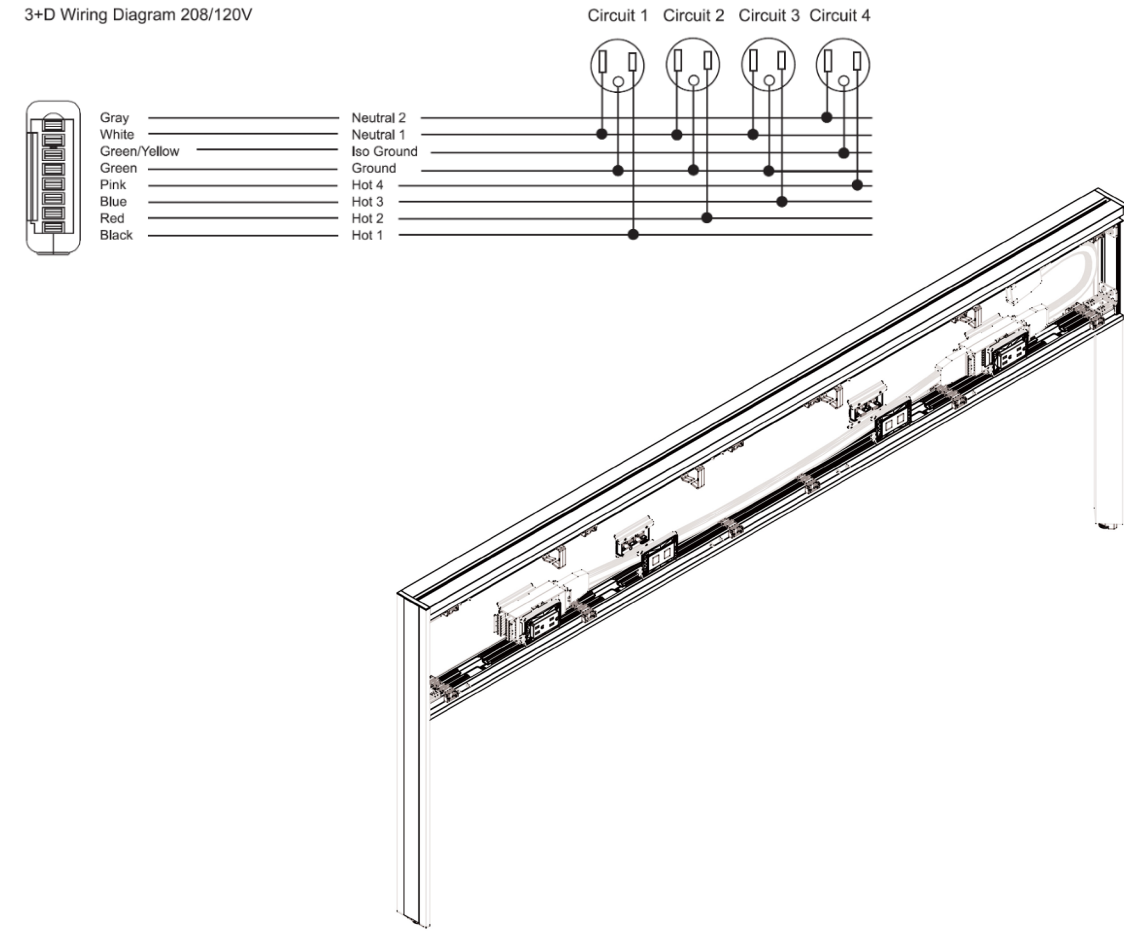
3+D Wiring Diagram 208/120V



WIRING DIAGRAM

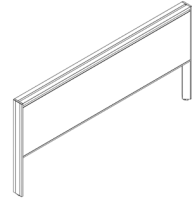
DEMI PANEL WITH POWER AND DATA

3+D Wiring Diagram 208/120V



WALLSTREET – Full Panel Without Power

Full Panel Without Power 29" Height



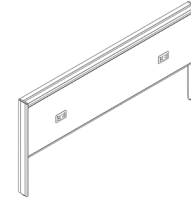
- Specify a paint finish for the frame
- Specify infill tile material, TFL, Steel, or Fabric
- Specify infill tile finish

	INFILL TILES					
	Width (in)	TFL	Grade A Fabric	Grade B Fabric	Grade C Fabric	Steel
WSFP30 30" W		1,479	1,641	1,663	1,719	1,603
WSFP36 36" W		1,575	1,722	1,747	1,807	1,692
WSFP42 42" W		1,670	1,835	1,865	1,939	1,793
WSFP48 48" W		1,781	1,974	2,008	2,092	1,938
WSFP54 54" W		1,869	2,035	2,074	2,115	1,996
WSFP60 60" W		1,939	2,189	2,228	2,328	2,160
WSFP66 66" W		2,058	2,329	2,374	2,472	2,291
WSFP72 72" W		2,116	2,382	2,431	2,541	2,357
WSFP78 78" W		2,200	2,449	2,497	2,614	2,424

All prices listed in USD \$

WALLSTREET – Full Panel With Power

Full Panel With Power 29" Height



- Specify a paint finish for the frame
- Specify infill tile material, TFL, Steel, or Fabric
- Specify infill tile finish
- Panel includes 2 duplex receptacles per side, black
- Receptacle frame matches panel color

	INFILL TILES					
	Width (in)	TFL	Grade A Fabric	Grade B Fabric	Grade C Fabric	Steel
WSFP48P 48" W		2,344	2,546	2,582	2,652	2,508
WSFP54P 54" W		2,441	2,659	2,696	2,784	2,626
WSFP60P 60" W		2,521	2,779	2,819	2,898	2,748
WSFP66P 66" W		2,726	2,999	3,046	3,161	2,975
WSFP72P 72" W		2,835	3,124	3,173	3,268	3,087
WSFP78P 78" W		2,938	3,199	3,238	3,359	3,176

All prices listed in USD \$

Finishes & Features Available...

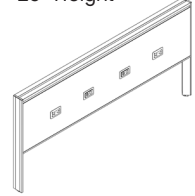
TFL Infill Tile	HD Highland Oak UM Urban Maple WH White WK Winter Oak SO Strata Oak CW Carini Walnut LG Light Gray
Fabric Tile	Grade A Camira Era Grade B Camira Lucia, Camira Nexus Grade C Camira Blazer, Camira Blazer Lite, Camira Aquarius, Camira Main Line Flax, Camira Synergy, Camira Synergy 66
Steel Infill Tile	Black White Silver
Frame Colors	Black White Silver (Steel infill will match Frame Color as standard)

To specify your panel...

1. Think through the configuration of Desks you require. (Fixed or Height Adjustable)
2. Select the codes of the individual items you need to achieve your configuration
3. Choose finishes where appropriate: frame finishes / fabric color / infill panel color / steel color
4. Consider supporting accessories: footplates / posts / spacers

WALLSTREET – Full Panel With Power and Data

Full Panel With Power and Data 29" Height



- Specify a paint finish for the frame
- Specify infill tile material, TFL, Steel, or Fabric
- Specify infill tile finish
- Panel includes 2 duplex receptacles per side, receptacle frame matches panel color
- 48" W to include 1 dual data port per side, matches frame color
- 54" W – 78" W to include 2 dual data ports per side, matches frame color
- Each data port consists of two keystone outlets

Width (in)	INFILL TILES				
	TFL	Grade A Fabric	Grade B Fabric	Grade C Fabric	Steel
WSFP48PD 48" W	2,462	2,682	2,714	2,795	2,648
WSFP54PD 54" W	2,530	2,781	2,818	2,996	2,748
WSFP60PD 60" W	2,639	2,903	2,941	3,036	2,871
WSFP66PD 66" W	2,770	3,042	3,087	3,191	3,016
WSFP72PD 72" W	2,835	3,123	3,167	3,264	3,087
WSFP78PD 78" W	2,938	3,214	3,266	3,358	3,176

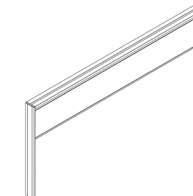
All prices listed in USD \$

Finishes & Features Available...

TFL Infill Tile	HD Highland Oak UM Urban Maple WH White WK Winter Oak SO Strata Oak CW Carini Walnut LG Light Gray
Fabric Tile	Grade A Camira Era Grade B Camira Lucia, Camira Nexus Grade C Camira Blazer, Camira Blazer Lite, Camira Aquarius, Camira Main Line Flax, Camira Synergy, Camira Synergy 66
Steel Infill Tile	Black White Silver
Frame Colors	Black White Silver (Steel infill will match Frame Color as standard)

WALLSTREET – Demi Panel Without Power

Demi Panel Without Power 29" Height



- Specify a paint finish for the frame
- Specify infill tile material, TFL, Steel, or Fabric
- Specify infill tile finish

Width (in)	INFILL TILES				
	TFL	Grade A Fabric	Grade B Fabric	Grade C Fabric	Steel
WSDP30 30" W	1,269	1,437	1,461	1,517	1,395
WSDP36 36" W	1,334	1,533	1,558	1,619	1,460
WSDP42 42" W	1,428	1,602	1,632	1,706	1,536
WSDP48 48" W	1,503	1,679	1,710	1,791	1,618
WSDP54 54" W	1,588	1,774	1,812	1,903	1,727
WSDP60 60" W	1,651	1,868	1,904	1,998	1,834
WSDP66 66" W	1,738	1,963	2,007	2,112	1,929
WSDP72 72" W	1,780	2,011	2,061	2,219	1,974
WSDP78 78" W	1,824	2,060	2,112	2,232	2,021

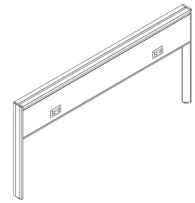
All prices listed in USD \$

To specify your panel...

1. Think through the configuration of Desks you require. (Fixed or Height Adjustable)
2. Select the codes of the individual items you need to achieve your configuration
3. Choose finishes where appropriate: frame finishes / fabric color / infill panel color / steel color
4. Consider supporting accessories: footplates / posts / spacers

WALLSTREET – Demi Panel With Power

Demi Panel With Power 29" Height



- Specify a paint finish for the frame
- Specify infill tile material, TFL, Steel, or Fabric
- Specify infill tile finish
- Panel includes 2 duplex receptacles per side, black
- Receptacle frame matches panel color

	INFILL TILES					
	Width (in)	TFL	Grade A Fabric	Grade B Fabric	Grade C Fabric	Steel
WSDP48P 48" W		2,010	2,239	2,271	2,352	2,183
WSDP54P 54" W		2,011	2,341	2,380	2,462	2,302
WSDP60P 60" W		2,162	2,456	2,496	2,592	2,420
WSDP66P 66" W		2,214	2,499	2,561	2,658	2,463
WSDP72P 72" W		2,239	2,521	2,566	2,687	2,485
WSDP78P 78" W		2,378	2,691	2,741	2,867	2,651

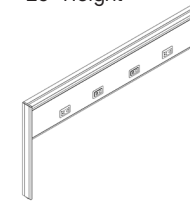
All prices listed in USD \$

Finishes & Features Available...

TFL Infill Tile	HD Highland Oak UM Urban Maple WH White WK Winter Oak SO Strata Oak CW Carini Walnut LG Light Gray
Fabric Tile	Grade A Camira Era Grade B Camira Lucia, Camira Nexus Grade C Camira Blazer, Camira Blazer Lite, Camira Aquarius, Camira Main Line Flax, Camira Synergy, Camira Synergy 66
Steel Infill Tile	Black White Silver
Frame Colors	Black White Silver (Steel infill will match Frame Color as standard)

WALLSTREET – Demi Panel With Power and Data

Demi Panel With Power and Data 29" Height



- Specify a paint finish for the frame
- Specify infill tile material, TFL, Steel, or Fabric
- Specify infill tile finish
- Panel includes 2 duplex receptacles per side, black
- Receptacle frame matches panel color
- 48" W to include 1 dual data port per side, matches frame color
- 54" W – 78" W to include 2 dual data ports per side, matches frame color
- Each data port consists of two keystone outlets

	INFILL TILES					
	Width (in)	TFL	Grade A Fabric	Grade B Fabric	Grade C Fabric	Steel
WSDP48PD 48" W		2,129	2,358	2,390	2,470	2,306
WSDP54PD 54" W		2,220	2,488	2,521	2,609	2,452
WSDP60PD 60" W		2,280	2,528	2,567	2,666	2,501
WSDP66PD 66" W		2,332	2,585	2,628	2,736	2,522
WSDP72PD 72" W		2,358	2,673	2,718	2,811	2,637
WSDP78PD 78" W		2,497	2,804	2,854	2,946	2,772


All prices listed in USD \$

To specify your panel...

1. Think through the configuration of Desks you require. (Fixed or Height Adjustable)
2. Select the codes of the individual items you need to achieve your configuration
3. Choose finishes where appropriate: frame finishes / fabric color / infill panel color / steel color
4. Consider supporting accessories: footplates / posts / spacers








PRODUCT PRICING

WALLSTREET – Linking Posts and Feet (Freestanding or Fixed Height Desking)

<p>End Footplate Kit 2 per pack</p> 	<p>WSEFP 191</p>	Code Price
<p>Mid Footplate 1 per pack, used with fixed desks</p> 	<p>WSMFP 140</p>	Code Price
<p>90° Link Post Used to connect 2 panels at 90°</p> 	<p>WSLP90 316</p>	Code Price
<p>120° Link Post Use to connect 2 or 3 panels at 120°</p> 	<p>WSLP120 330</p>	Code Price
<p>270° Link Post Used to connect 3 panels at 90°</p> 	<p>WSLP270 546</p>	Code Price
<p>360° Link Post Used to connect 4 panels at 90°</p> 	<p>WSLP360 502</p>	Code Price

PRODUCT PRICING

WALLSTREET – Linking Posts and Feet (Height Adjustable Desking)

<p>End Footplate Kit 2 per pack</p> 	<p>WSEFP 191</p>	Code Price
<p>Mid Foot Height Adjustable Footplate 1 per pack Used to hold 1" gap between HA work surfaces for safety. *Specify with in-line link spacer</p> 	<p>WSMFPHA 140</p>	Code Price
<p>Inline Link Spacer Required only for use in conjunction with height adjustable desks, 1" W Used to hold 1" gap between HA work surfaces for safety.</p> 	<p>WSLSN 168</p>	Code Price
<p>90° HA Link Post Used to connect 2 panels at 90°, includes 2 corner link spacers, .5" W</p> 	<p>WSLPHA90 610</p>	Code Price
<p>120° HA Link Post Use to connect 2 or 3 panels at 120°, includes 3 corner link spacers, .5" W</p> 	<p>WSLPHA120 741</p>	Code Price
<p>270° HA Link Post Used to connect 3 panels at 90°, includes 3 corner link spacers, .5" W</p> 	<p>WSLPHA270 987</p>	Code Price
<p>360° HA Link Post Used to connect 4 panels at 90°, includes 4 corner link spacers, .5" W</p> 	<p>WSLPHA360 1,090</p>	Code Price

All prices listed in USD \$

Finishes & Features Available...

Paint Colors Black | White | Silver

WALLSTREET – Electrical

**Hardwire Infeeds
8 Wire 4 Circuit**
For WallStreet powered panels



Length (inches)			
72"	108"	144"	
72HWINF84-B	108HWINF84-B	144HWINF84-B	Code
182	237	287	Price
SEE NOTE 1	SEE NOTE 1	SEE NOTE 1	

**Jumper Cable
8 Wire 4 Circuit**
For WallStreet panel to
panel connection



WSJUMP			Code
90			Price

Note 1: Infeed capable of 13 duplex receptacles per circuit, with a total of 52 duplex receptacles if all circuits are used per single power infeed. Receptacles rated @ 20amp.

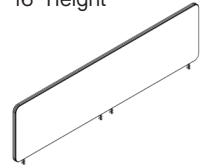
All prices listed in USD \$

Large grid area for notes.

WALLSTREET – Frameless Pinnable Screens

Frameless Pinnable Screens

16" Height



- Mounts in the top rail of a panel
- Screen width can be the width of panel or less

Width (in)	FABRIC		
	Grade A	Grade B	Grade C
WSSF1630P 30" W	398	422	480
WSSF1636P 36" W	422	448	513
WSSF1642P 42" W	450	481	559
WSSF1648P 48" W	473	507	591
WSSF1654P 54" W	500	539	636
WSSF1660P 60" W	549	590	694
WSSF1666P 66" W	582	627	743
WSSF1672P 72" W	603	655	785
WSSF1678P 78" W	629	684	820

Frameless Pinnable Screens

24" Height



- Mounts in the top rail of a panel
- Screen width can be the width of panel or less

WSSF2430P 30" W	481	528	644
WSSF2436P 36" W	518	570	700
WSSF2442P 42" W	563	626	781
WSSF2448P 48" W	600	668	839
WSSF2454P 54" W	648	726	920
WSSF2460P 60" W	710	793	1,000
WSSF2466P 66" W	755	848	1,082
WSSF2472P 72" W	800	904	1,163
WSSF2478P 78" W	837	946	1,218

All prices listed in USD \$

Finishes & Features Available...

Fabrics	Grade A Camira Era Grade B Camira Lucia, Camira Nexus Grade C Camira Blazer, Camira Blazer Lite, Camira Aquarius, Camira Main Line Flax, Camira Synergy, Camira Synergy 66
Hardware Color	Black White Silver

WALLSTREET – Frameless Non-Pinnable Screens

Frameless Non-Pinnable Screens

16" Height

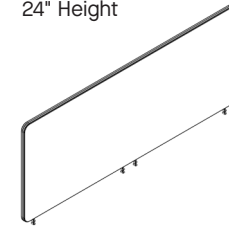


- Mounts in the top rail of a panel
- Screen width can be the width of panel or less

Width (in)	FABRIC		
	Grade A	Grade B	Grade C
WSSF1630 30" W	367	390	449
WSSF1636 36" W	384	410	475
WSSF1642 42" W	405	436	514
WSSF1648 48" W	422	456	540
WSSF1654 54" W	443	482	579
WSSF1660 60" W	485	526	630
WSSF1666 66" W	506	553	669
WSSF1672 72" W	527	579	708
WSSF1678 78" W	546	600	737

Frameless Non-Pinnable Screens

24" Height



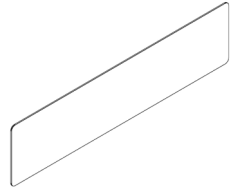
- Mounts in the top rail of a panel
- Screen width can be the width of panel or less

WSSF2430 30" W	434	481	597
WSSF2436 36" W	462	513	643
WSSF2442 42" W	497	559	715
WSSF2448 48" W	524	592	763
WSSF2454 54" W	562	640	834
WSSF2460 60" W	614	697	905
WSSF2466 66" W	649	743	976
WSSF2472 72" W	685	789	1,048
WSSF2478 78" W	712	821	1,093

All prices listed in USD \$

WALLSTREET – Glass Screens

Low Glass Screens
16" Height

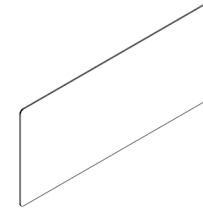


Width (in)	Glass
WSSG1630 30" W	414
WSSG1636 36" W	462
WSSG1642 42" W	513
WSSG1648 48" W	565
WSSG1654 54" W	612
WSSG1660 60" W	663
WSSG1666 66" W	718
WSSG1672 72" W	763
WSSG1678 78" W	816

All prices listed in USD \$

WALLSTREET – Glass Screens

High Glass Screens
24" Height



Width (in)	Glass
WSSG2430 30" W	588
WSSG2436 36" W	673
WSSG2442 42" W	753
WSSG2448 48" W	839
WSSG2454 54" W	923
WSSG2460 60" W	1,007
WSSG2466 66" W	1,092
WSSG2472 72" W	1,174
WSSG2478 78" W	1,253

All prices listed in USD \$

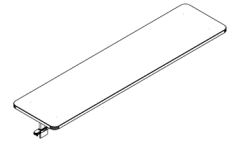
Finishes & Features Available...

Glass Colors Clear | Gray Smoked

WALLSTREET – Panel Mounted Accessories

Shelf

12" D



- Specify a TFL Finish and paint color for brackets

Width (in)	
WSSH24 24" W	283
WSSH27 27" W	285
WSSH30 30" W	289
WSSH33 33" W	303
WSSH36 36" W	306
WSSH39 39" W	309
WSSH42 42" W	312
WSSH48 48" W	318
WSSH54 54" W	322
WSSH60 60" W	395
WSSH66 66" W	400
WSSH72 72" W	406
WSSH78 78" W	412

All prices listed in USD \$

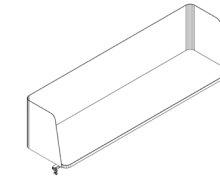
Finishes & Features Available...

TFL	HD Highland Oak UM Urban Maple WH White WK Winter Oak SO Strata Oak CW Carini Walnut LG Light Gray
Bracket Colors	Black White Silver

WALLSTREET – Panel Mounted Accessories

Open Storage

12" D, 12" H



- Specify a TFL Finish and paint color for brackets

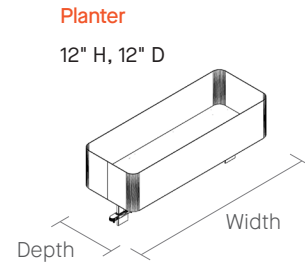
Width (in)	
WSST24 24" W	602
WSST27 27" W	609
WSST30 30" W	611
WSST33 33" W	614
WSST36 36" W	658
WSST39 39" W	662
WSST42 42" W	758
WSST48 48" W	772
WSST54 54" W	803
WSST60 60" W	906

All prices listed in USD \$

Finishes & Features Available...

TFL	HD Highland Oak UM Urban Maple WH White WK Winter Oak SO Strata Oak CW Carini Walnut LG Light Gray
Bracket Colors	Black White Silver

WALLSTREET – Panel Mounted Accessories



Width (in)	Steel
WSPL24 24" W	647
WSPL27 27" W	682
WSPL30 30" W	739
WSPL33 33" W	747
WSPL36 36" W	782
WSPL39 39" W	805

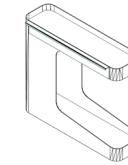
All prices listed in USD \$

Finishes & Features Available...

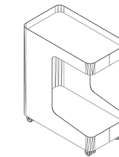
Painted Steel Black | White | Silver

WALLSTREET – Personal Mounted Storage

WallStreet Panel Mount Storage Unit
15.5" H, 5" W, 18" D



WallStreet Mobile Storage Unit
21" H, 10" W, 18"D



Width (in)	Steel
WSPSUL 5" W	908 SEE NOTES 1 & 2
WSPSUR 5" W	908 SEE NOTES 1 & 2
WSMSU 10" W	1,139 SEE NOTE 2

Note 1: Panel mount storage units are either Left or Right Handed. The handedness designates the bracket location. Left Hand shown.
Note 2: Storage comes with felt lay in

All prices listed in USD \$

Finishes & Features Available...

Painted Steel Black | White | Silver

WALLSTREET DESKS & TABLES

STANDARD FEATURES

- 2 ½ x 1 ¼" rectangular steel tube legs with seamless mitred corners
- 1/4" shadow gap between top and frame
- Universally sized steel dual crossrails
- Adjustable leveling feet
- Scalloped cable access
- 1" TFL tops

OPTIONAL FEATURES

- Universal screens
- Modesty panels
- Wire management cable trays
- CPU holders
- Electrical accessories

PERFORMANCE STANDARDS

- Designed to conform to and where applicable is tested to the following standards:
- BIFMA X5.5 x2014
 - SCS-EC10.3-2014 v. 3.0 Indoor Advantage Gold

WALLSTREET DESKS & TABLES

With every Senator design comes a great deal of thought. The design process starts way before pencil reaches paper, beginning with looking at you. We look at how you sit, reach, move, and work to create a design which not only looks beautiful, but is a pleasure to use too.

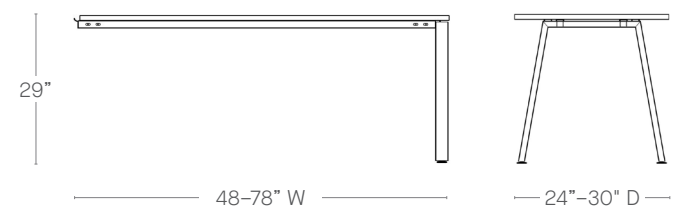
Behind every Senator product is a fusion of intelligent thinking and innovative engineering to create products which support people whether they're focusing, collaborating, presenting, or organizing.

DIMENSIONS

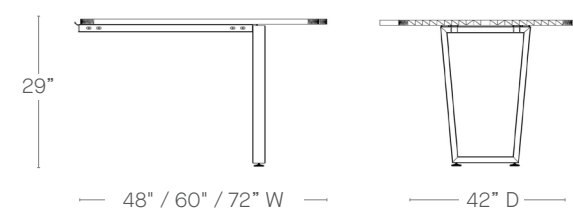
Back Mount Angled Leg Desk



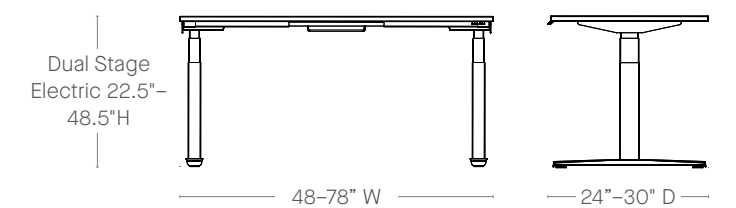
Side Mount Angled Leg Desk



Meeting Peninsula Table



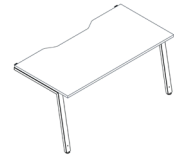
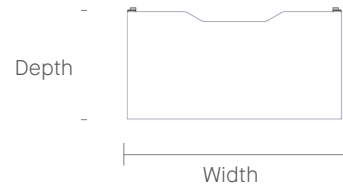
Height Adjustable Desk



WALLSTREET DESKS AND TABLES

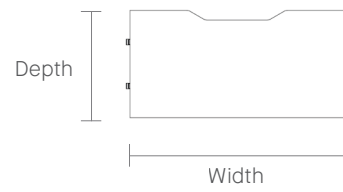
● Available
 □ Not available

Back Mount Angled Leg Desk
 29" Height



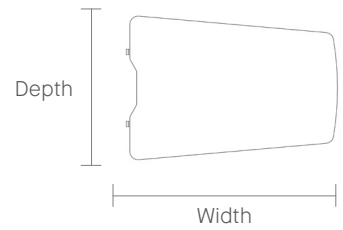
	48" W	54" W	60" W	66" W	72" W	78" W
24" D	●	●	●	●	●	●
30" D	●	●	●	●	●	●

Side Mount Angled Leg Desk
 29" Height



	48" W	54" W	60" W	66" W	72" W	78" W
24" D	●	●	●	●	●	●
30" D	●	●	●	●	●	●

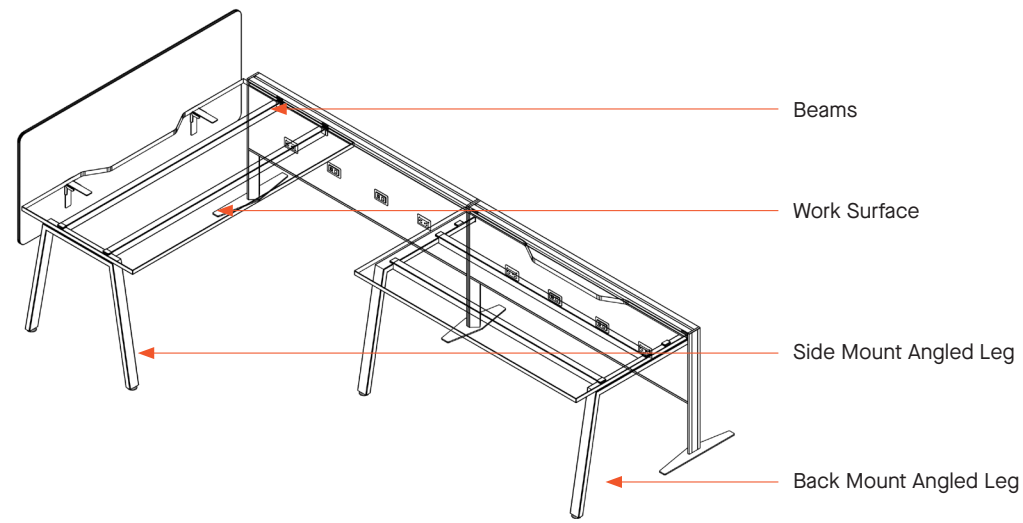
Meeting Peninsula Table
 29" Height



	48" W	60" W	72" W
42" D	●	●	●

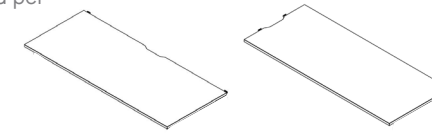
A large grid area for taking notes, consisting of a fine grid pattern.

WALLSTREET FIXED HEIGHT DESKS



WORK SURFACES

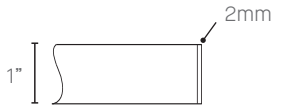
One work surface supplied per desk. 24" or 30" Depth.



WallStreet tops are available in 24" or 30" depths and lengths of 48", 54", 60", 66", 72", and 78".

Tops are available in TFL with a scallop in the back for cable access.

TFL tops have a 2mm laser edge band all around.



FRAMEWORK



Side Mount Angled Desk

Single End Legs are 24" or 30" deep. Each end leg has spigots protruding from the frame to allow the beam to be bolted into place. Complete with adjustable feet.



Back Mount Angled Desk

Single end legs are 24" x 30" deep. Each end leg has spigots protruding from the frame to allow the beams to be bolted. Each leg comes complete with leg or WallStreet connection bracket.



Meeting Peninsula Table

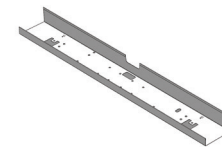
Peninsula Table end leg has spigots protruding from the frame to allow the beam to be bolted into place. Adjustable feet come standard.



Beams

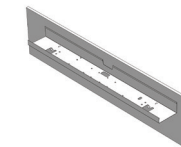
Beams are metal box tubes used to connect the surface supporting framework. Beams come in lengths of 48", 54", 60", 66", 72", and 78".

CABLE MANAGEMENT



Single Cable Trays Connect

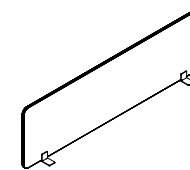
Power blocks are bolted / screwed directly to the tray. Helps to improve safety and keep the under desk space tidy.



Modesty Panel

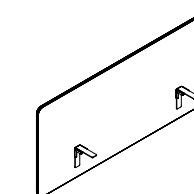
The Modesty Panel is a 3/4" thick TFL panel which provides visual privacy below the work surface. The Modesty Panel comes complete with a cable tray for wire management and organization.

SCREENS



Desk Mounted Screens

Fabric pinnable or non-pinnable privacy screens 16" high attached to the back of the desk



Modesty Screens

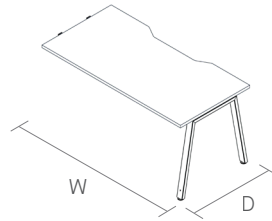
Fabric pinnable or non-pinnable privacy modesty screens 26" high (16" above worksurface, 10" below)

PRODUCT PRICING

WALLSTREET – Side and Back Mount Desks

Side Mount Angled Leg Desk

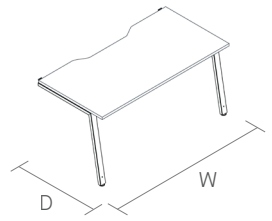
29" H



Width (in)	TFL	
	24" D	30" D
48" W	WSSM4824 1,045	WSSM4830 1,075
54" W	WSSM5424 1,081	WSSM5430 1,115
60" W	WSSM6024 1,096	WSSM6030 1,133
66" W	WSSM6624 1,155	WSSM6630 1,194
72" W	WSSM7224 1,182	WSSM7230 1,224
78" W	WSSM7824 1,253	WSSM7830 1,298

Back Mount Angled Leg Desk

29" H



Width (in)	TFL	
	24" D	30" D
48" W	WSBM4824 1,216	WSBM4830 1,260
54" W	WSBM5424 1,254	WSBM5430 1,300
60" W	WSBM6024 1,274	WSBM6030 1,324
66" W	WSBM6624 1,321	WSBM6630 1,373
72" W	WSBM7224 1,353	WSBM7230 1,409
78" W	WSBM7824 1,425	WSBM7830 1,484

All prices listed in USD \$

Finishes & Features Available...

1" TFL (Edge 69)	HD Highland Oak UM Urban Maple WH White WK Winter Oak SO Strata Oak CW Carini Walnut LG Light Gray
Frame Colors	Black White Silver (Steel infill will match Frame Color as standard)

PRODUCT PRICING

WALLSTREET – Meeting Tables

Single Cable Tray



Wooden Modesty w/ Cable Tray



CPU Holder Chemistry Desk

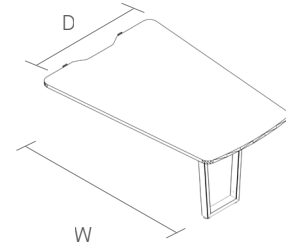


ABOVE DESK POWER (3 PRONG PLUG)



Meeting Peninsula

29" H



Width (in)	Width (inch)						Code
	48"	54"	60"	66"	72"	78"	
WSSCT48 267	WSSCT54 291	WSSCT60 321	WSSCT66 340	WSSCT72 350	WSSCT78 368	Price	
SEE NOTE 1	SEE NOTE 1	SEE NOTE 1	SEE NOTE 1	SEE NOTE 1	SEE NOTE 1		
WSSMW48 594	WSSMW54 624	WSSMW60 656	WSSMW66 676	WSSMW72 700	WSSMW78 731	Code	
SEE NOTES 1 & 2	SEE NOTES 1 & 2	SEE NOTES 1 & 2	SEE NOTES 1 & 2	SEE NOTES 1 & 2	SEE NOTES 1 & 2	Price	
CHCPUH 242						Code	
SEE NOTES 1 & 3						Price	
ADPSC 423						Code	
SEE NOTE 1						Price	

Note 1: Available in Black, White, and Silver.
 Note 2: Available in all TFL finishes
 Note 3: Only suitable for 30" depth desks

Width (in)	TFL	
	42" D	
WSMP48 48" W	1,217	
WSMP60 60" W	1,296	
WSMP72 72" W	1,414	

All prices listed in USD \$

To specify your desk...

1. Think through the configuration of Desk you require
2. Select the Codes of the individual items you need to achieve your configuration
3. Choose Finishes where appropriate: 'top' finishes / frame color
4. Consider supporting product, screens, storage and accessories

WALLSTREET HEIGHT ADJUSTABLE – Single Desk

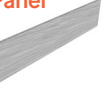
Single HA Dual Stage
24" Depth



Single HA Dual Stage
30" Depth



Surface Mounted
Modesty Panel



Desk Mounted
Cable Tray



Vertical
Cable Riser



Inline Desk
Linking Kit

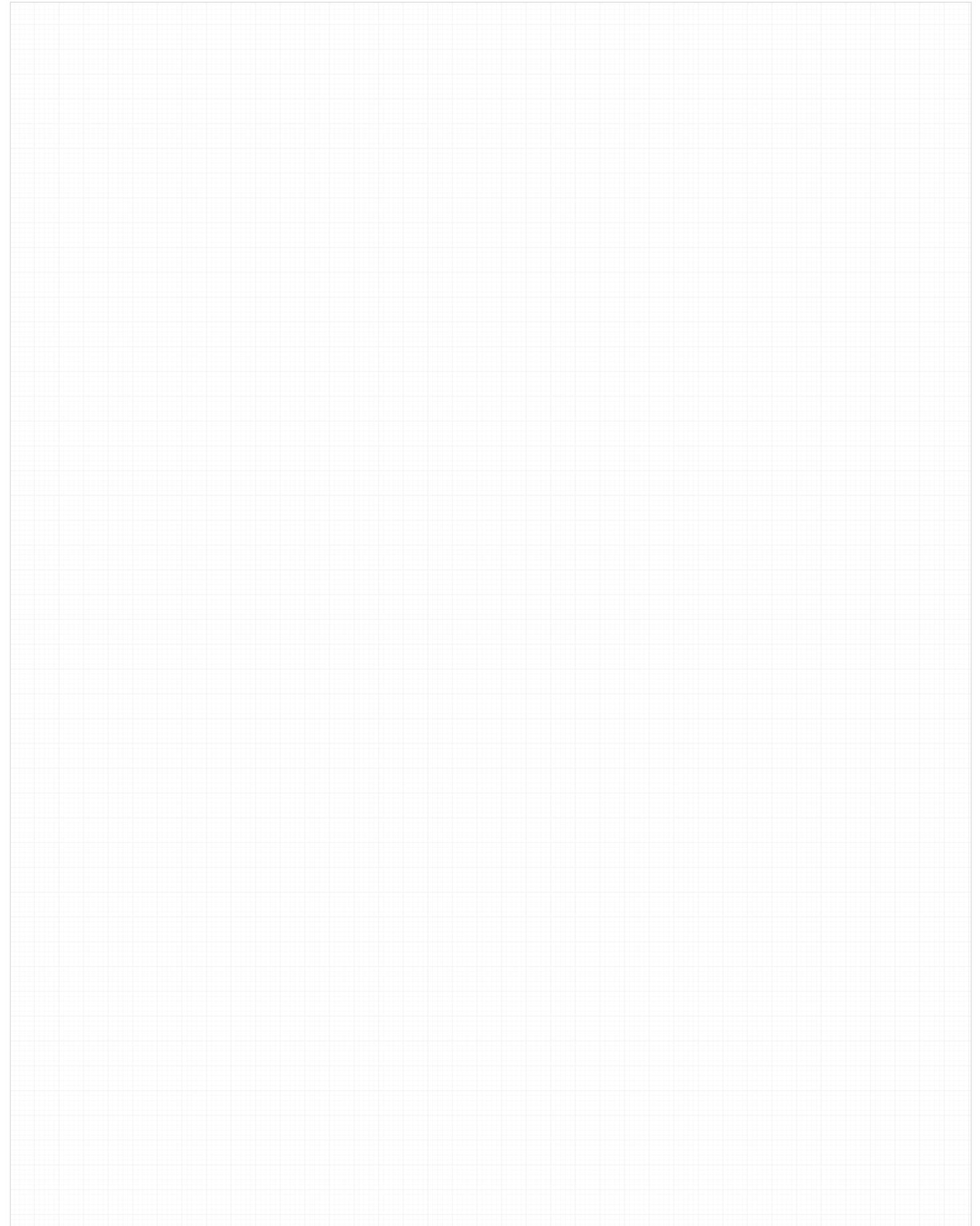


		Width (inch)						
		48" W	54" W	60" W	66" W	72" W	78" W	
Height adjustable between 22.5" - 48.5"	WSDAE4824 1,654	WSDAE5424 1,666	WSDAE6024 1,677	WSDAE6624 1,691	WSDAE7224 1,699	WSDAE7824 1,711	Code TFL	
Height adjustable between 22.5" - 48.5"	WSDAE4830 1,694	WSDAE5430 1,707	WSDAE6030 1,722	WSDAE6630 1,737	WSDAE7230 1,749	WSDAE7830 1,763	Code TFL	
Mounts to the underside of the worksurface	CHPAMW48 343 SEE NOTE 1	CHPAMW54 353 SEE NOTE 1	CHPAMW60 363 SEE NOTE 1	CHPAMW66 375 SEE NOTE 1	CHPAMW72 388 SEE NOTE 1	CHPAMW78 397 SEE NOTE 1	Code TFL	
One required per desktop	CHPDSACT48 155 SEE NOTE 2	CHPDSACT54 164 SEE NOTE 2	CHPDSACT60 177 SEE NOTE 2	CHPDSACT66 189 SEE NOTE 2	CHPDSACT72 220 SEE NOTE 2	CHPDSACT78 239 SEE NOTE 2	Code Price	
Carries cables from floor to Cable Tray or directly to the work surface	FBAVCM 148 SEE NOTE 2						Code Price	
Connects two single desk frames to create a 1" gap between work surfaces for safety	CHPUSAEDLNK 175 SEE NOTE 2						Code Price	

Note 1: Available in all TFL finishes

All prices listed in USD \$

Note 2: Specify black, white, or silver metalwork.



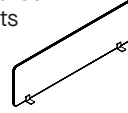
Finishes & Features Available...

1" TFL (Edge 69)	HD Highland Oak UM Urban Maple WH White WK Winter Oak SO Strata Oak CW Carini Walnut LG Light Gray
Standard Top Features	Starter and Add on desks have scalloped cable access as standard Executive desks have a straight edge back edge as standard
Leg Colors	Silver White Black

SCREENS – Desk Mounted Screens

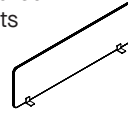
Desktop Screen
Frameless Non-Pinnable

16" High Supplied with
Fixing Brackets



Desktop Screen
Frameless Pinnable

16" High Supplied with
Fixing Brackets



	48" W	54" W	60" W	66" W	72" W	78" W	
CHPSF1648	472	482	497	510	527	537	Code
	510	522	545	560	581	596	Grade A
	605	626	660	682	718	739	Grade B
							Grade C
SEE NOTE 1	SEE NOTE 1	SEE NOTE 1	SEE NOTE 1	SEE NOTE 1	SEE NOTE 1	SEE NOTE 1	
CHPSF1648P	564	609	641	667	700	726	Code
	602	650	685	717	755	784	Grade A
	697	752	803	839	891	928	Grade B
							Grade C
SEE NOTE 1	SEE NOTE 1	SEE NOTE 1	SEE NOTE 1	SEE NOTE 1	SEE NOTE 1	SEE NOTE 1	

Note 1: Specify black, white, or silver metalwork.

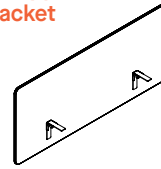
Width (inch)							
	48" W	54" W	60" W	66" W	72" W	78" W	
WSSF2648	531	552	580	600	628	648	Code
	607	633	673	699	736	763	Grade A
	800	839	905	943	1,010	1,049	Grade B
							Grade C
SEE NOTE 2	SEE NOTE 2	SEE NOTE 2	SEE NOTE 2	SEE NOTE 2	SEE NOTE 2	SEE NOTE 2	
WSSF2648P	731	773	823	865	908	961	Code
	808	854	918	963	1,026	1,074	Grade A
	998	1,057	1,148	1,209	1,299	1,361	Grade B
							Grade C
SEE NOTE 2	SEE NOTE 2	SEE NOTE 2	SEE NOTE 2	SEE NOTE 2	SEE NOTE 2	SEE NOTE 2	

Note 2: Specify black, white, or silver metalwork.

All prices listed in USD \$

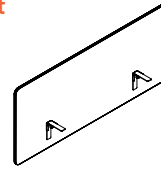
Modesty Screen Frameless
Non-Pinnable Supplied
with Fixing Bracket

26" High,
16" Above
Worksurface,
10" Below
Worksurface



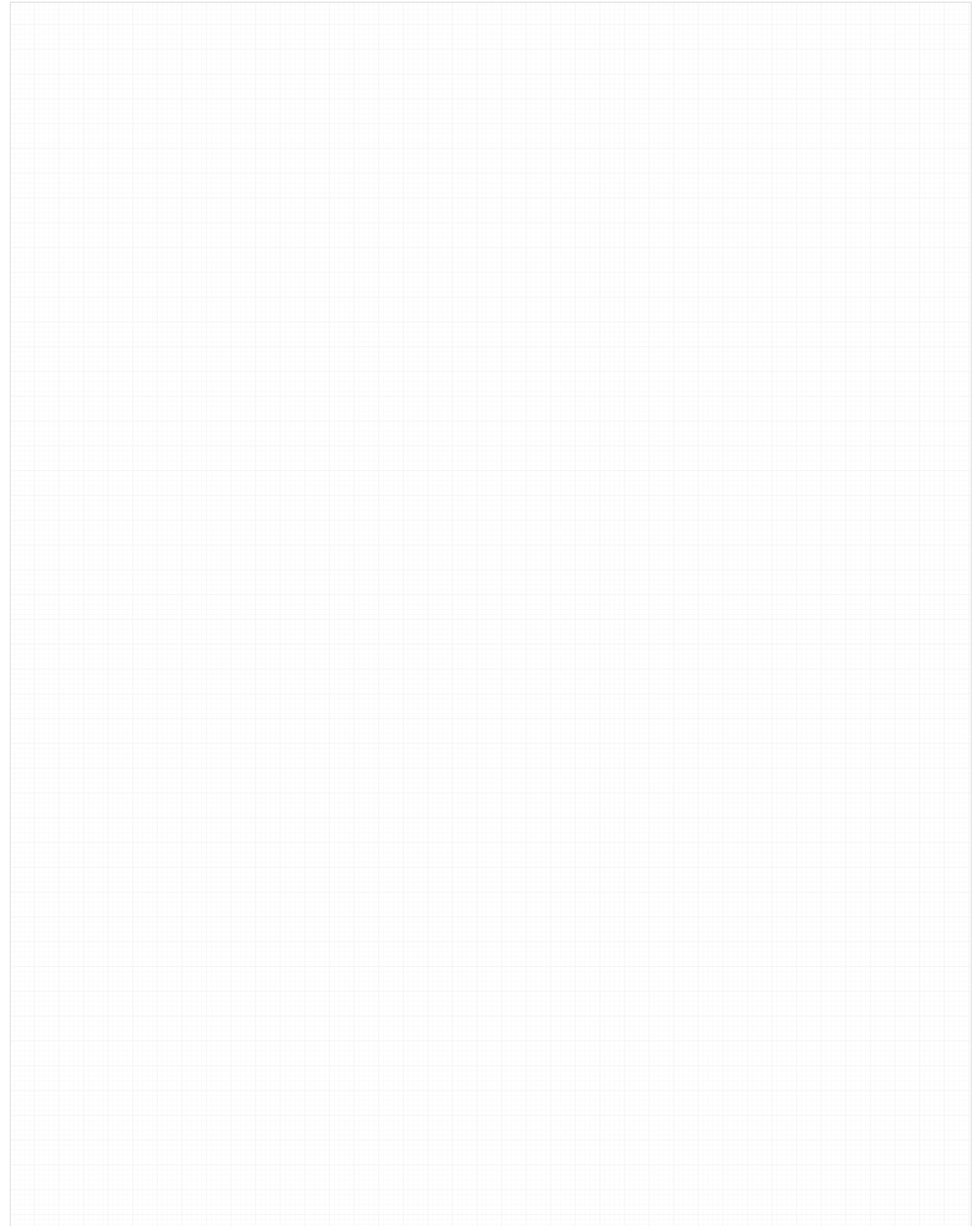
Modesty Screen Frameless
Pinnable Supplied with
Fixing Bracket

26" High,
16" Above
Worksurface,
10" Below
Worksurface



Finishes & Features Available...

Fabrics	Grade A Camira Era Grade B Camira Lucia, Camira Nexus Grade C Camira Blazer, Camira Blazer Lite, Camira Aquarius, Camira Main Line Flax, Camira Synergy, Camira Synergy 66
Frame Colors	Silver White Black



FINISHES

WALLSTREET – Panel Finishes

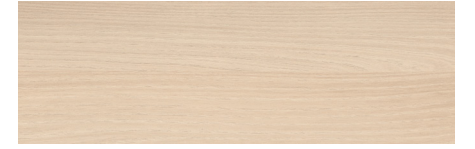
TFL INFILL TILES



Carini Walnut



Strata Oak



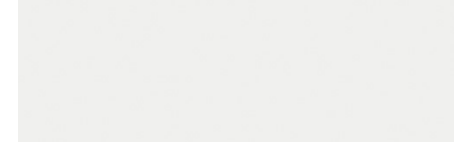
Urban Maple



Highland Oak



Winter Oak



White



Light Gray

STEEL INFILL TILES



Black



White



Silver

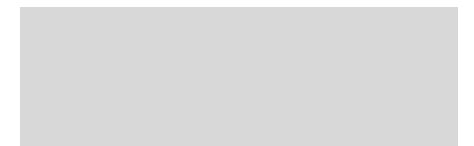
FRAME



Black



White



Silver

Color images above are for reference only. Please verify with actual color sample.

FINISHES

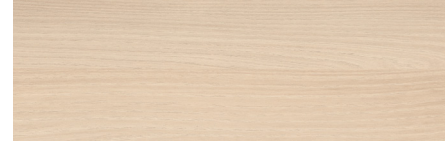
WALLSTREET – Standard Top Finishes (Edge 69)



Carini Walnut



Strata Oak



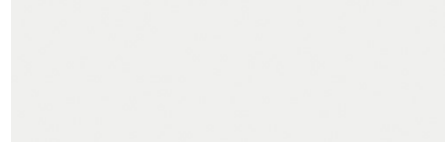
Urban Maple



Highland Oak



Winter Oak

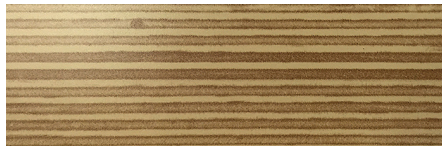


White



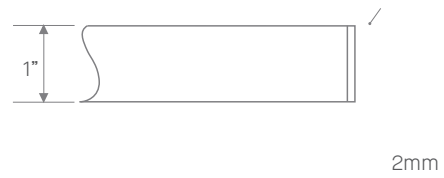
Light Gray

CONTRASTING EDGE BAND



Ply Effect Edging

All TFL (Edge 69) tops come with a matching edge band as standard. Contrasting edge band can be specified. Please contact customer service if you require a contrasting edge band.



FINISHES

FRAME / LEG FINISHES



Black



White



Silver

GLASS SCREEN FINISHES



Clear

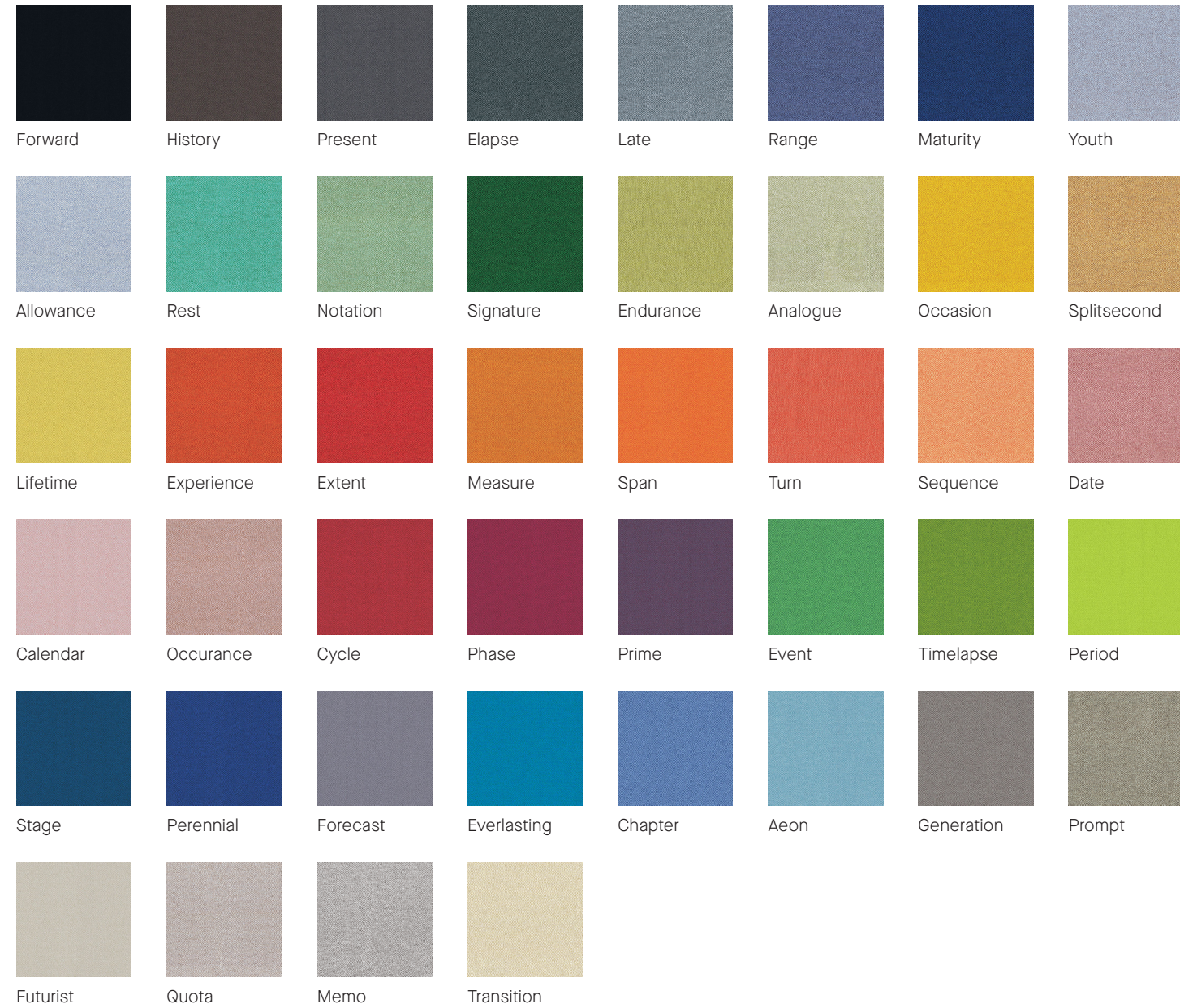


Gray Smoked

FINISHES

WALLSTREET – Finishes

FABRIC INFILL TILES – CAMIRA ERA



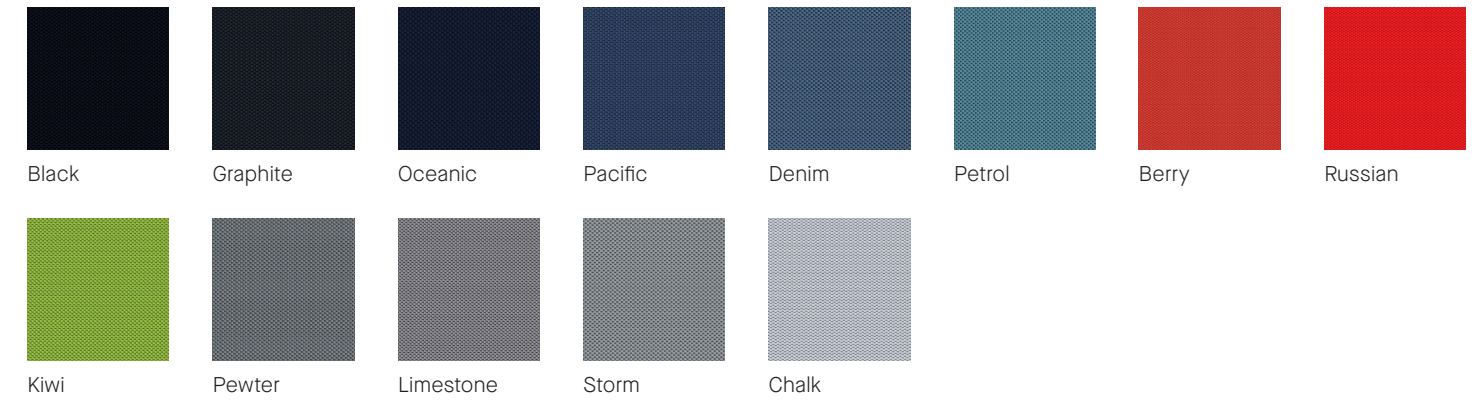
Color images above are for reference only. Please verify with actual color sample.

FINISHES

FABRIC INFILL TILES – CAMIRA LUCIA



FABRIC INFILL TILES – CAMIRA NEXUS



Color images above are for reference only. Please verify with actual color sample.