

SENATOR

ARRAY

ARRAY

With every Senator design comes a great deal of thought. The design process begins way before pencil reaches paper, beginning with looking at you. We look at how you sit, reach, move and work to create a design which not only looks beautiful, but is a pleasure to use too.

Behind every Senator product is a fusion of intelligent thinking and innovative engineering to create products which support people whether they're focusing, collaborating, presenting, or organizing.

ARRAY

STANDARD FEATURES (*Selected models only)

- Rigid cast Aluminum frame
- Full integrated cable management
- Fully lockable brake casters
- Nesting capabilities
- Gas assisted lift operation
- Single handle to unlock
- Integrated flexible swipe-in cable risers
- 1" TFL tops

SPECIFIABLE FEATURES

- Quadrants
- Modesty panels
- Aluminum cable riser

OPTIONAL EXTRAS

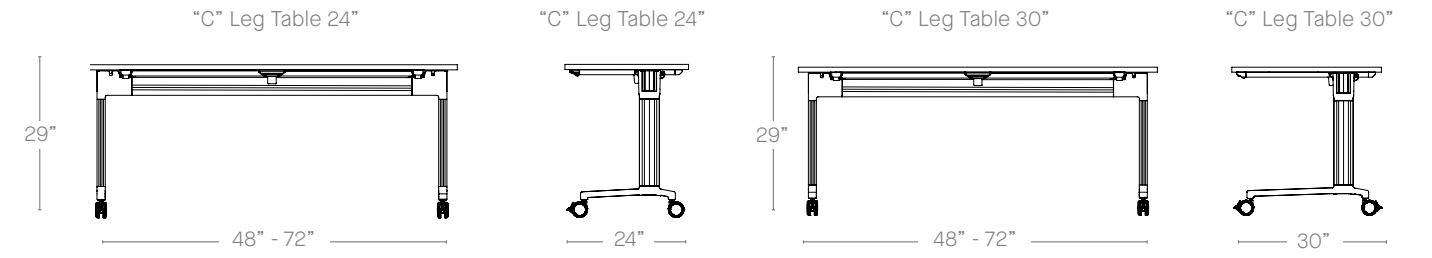
- Below desk power complete with flip unit
- In-surface power unit
- Flip in-surface power unit

PERFORMANCE STANDARDS

Designed to conform to and where applicable is tested to the following standards:

- BIFMA X5.5 × 2014
- Safety, Durability, and Structural Performance

DIMENSIONS



Rectangular
Widths. 48" - 72"
Depths. 24" & 30"



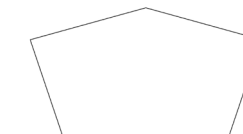
Half Round
Widths. 60"
Depth. 30"



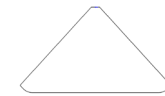
Crescent 120°
Widths. 68"
Depth. 30"



Trapezoid
Widths. 60"
Depth. 30"



Polygon
Widths. 50" - 60"
Depth. 24" & 30"



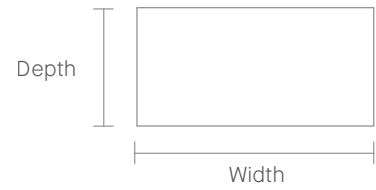
Quadrants (Frameless)
Angle. 45° - 90°
Depth. 24" & 30"

STATEMENT OF LINE

ARRAY

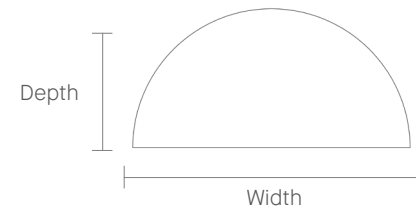
● Available
□ Not available

Rectangular Frame
24" & 30" depth



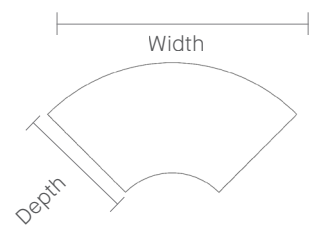
Depth (in)	48"	54"	60"	66"	72"
24" D	●	●	●	●	●
30" D	●	●	●	●	●

Half Round
30" depths



Depth (in)	60"
30" D	●

120° Crescent
30" depths

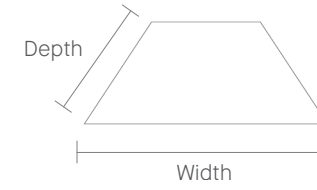


Depth (in)	68" W
30" D	●

ARRAY

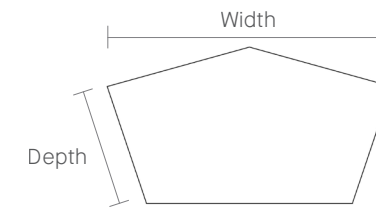
● Available
□ Not available

Trapezoid
30" depth



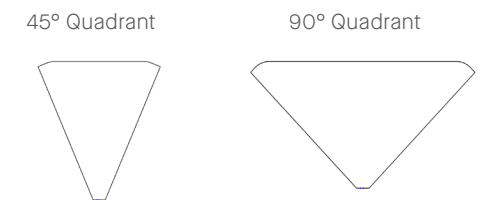
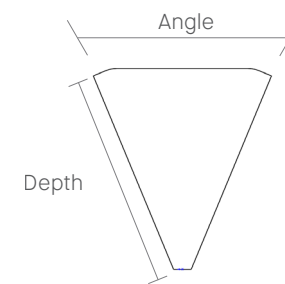
Depth (in)	60" W
30" D	●

Polygon
24" & 30" depths



Depth (in)	50" W	60" W
24" D	●	□
30" D	●	●

Quadrants
24" & 30" depths



Depth (in)	45°	90°
24" D	●	●
30" D	●	●

Note: Quadrants are supplied with linking brackets

STATEMENT OF LINE

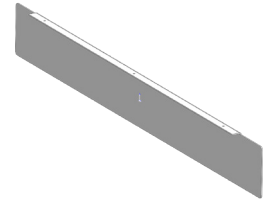
ARRAY

● Available
□ Not available

Modesty Panel

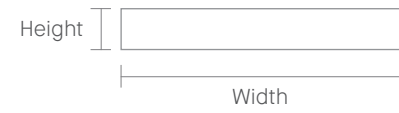


Modesty panels for Rectangular Tables

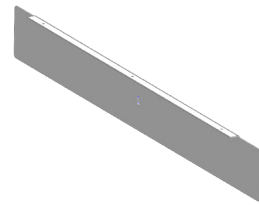


Height (in)	48"	54"	60"	66"	72"
6.5" H	●	●	●	●	●

Modesty Panel



Modesty panels for Shaped Tables



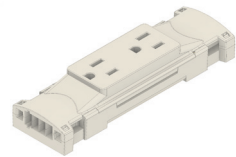
Height (in)	Half Round	Crescent	Trapezoid	Polygon Small	Polygon Large
6.5" H	●	●	●	●	●

"C" Leg Table Below Surface Power – Option A

Flip Top Unit



Two power Block



Corded Infeed

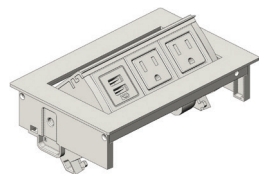


Jumper Cable

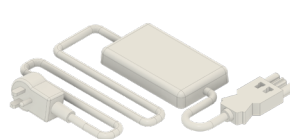


"C" Leg Table In-Surface Power – Option B

2 Power, 2 USB Charging



Corded Infeed



Jumper Cable

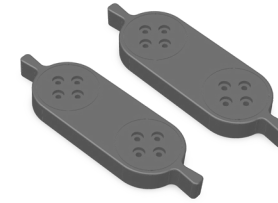


STATEMENT OF LINE

ARRAY

● Available
□ Not available

Linking Kit



Note: Quadrants are supplied with linking brackets

ARRAY

Array allows you to design multiple configurations to create your own individual environment. The table comprises of 2 end legs, 1 central beam, 2 outriggers and 1 synchronizing handle, and a 1" thick TFL top.

Mid Support
Offers additional surface stability on larger top sizes.

Outriggers
Aluminum outriggers are fitted to the table to provide stability across the table top.

Daisy Chaining Cable Management
Array allows easy access for cables from desk to desk by using soft flexible doors.

Flip Down
Flip down allows unrestricted access to the integrated cable channel while the desk top is deployed.

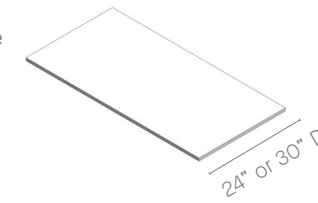
Handle
To lift the top pull on the single handle and lift the top upwards, the gas struts will aid you in the lifting of the top.

VCM
Array uses flexible vertical cable management for quick integration of the cables.

Quadrants
Quadrants are frameless and allows table layouts to be quickly configured, using the linking brackets. These are a great method of creating extra worksurface space for occasional use.

WORK SURFACES

One top is provided per table



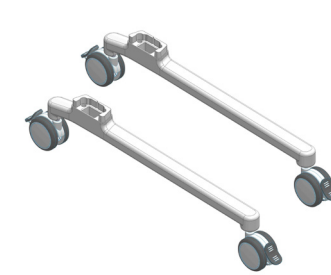
Array C leg table tops are available in 24" or 30" Depths and lengths of 48", 54", 60", 66", and 72".

Tops are available in 1" TFL.

TFL tops have a 2mm laser edge band all round.

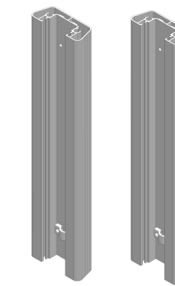


FRAMEWORK



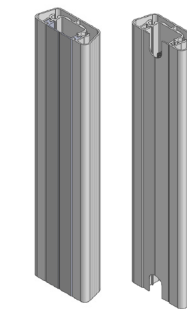
Feet

Array feet are made from die cast aluminum. Feet come in two depths 24" & 30" depending upon the sizes of top ordered. All feet come standard with braked large casters.



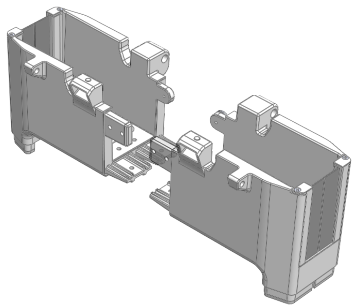
VCM

The extruded aluminum Vertical Cable Manager allows cables to be managed up into the cable channel.



VCM Covers

The Array Vertical Cable Manager comes as standard with flexible VCM covers, to easily retain cables, or the option of a push fit Aluminum cover.



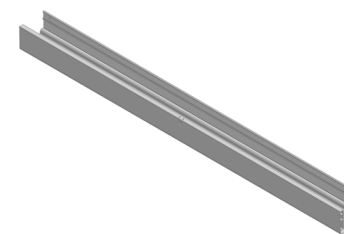
Integral cable manager ends

The main beam ends allow connection between the VCM and Cable channel.



Gas Struts

Array is fitted with gas assisted lifting to help when operating the table and nesting.



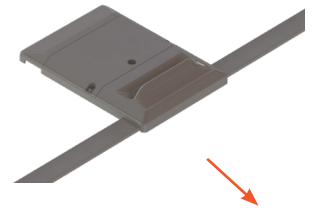
Integral Cable Channel

The main beam assembly comprises of the main channel and magnetic drop, both parts are extruded aluminum. The main beam varies in length depending on the table size.



Outriggers

The outriggers support the table top at both ends. The outrigger also provides a secure connection between the top and main beam ends.

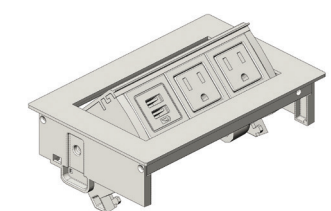


Single handle

The single handle synchronizes the two outrigger locks. This single operation of the handle will allow the latches to be disengaged easily.

CONFIGURATIONS

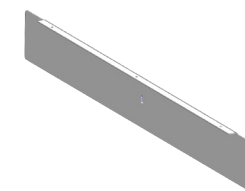
ELECTRICS



Integrated Electrics

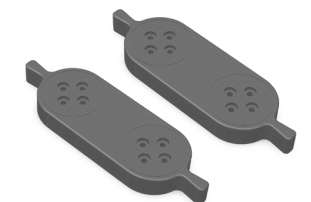
Array can be fitted with 2 different options for integrated power into the table.

OPTIONAL EXTRAS



Modesty Panel

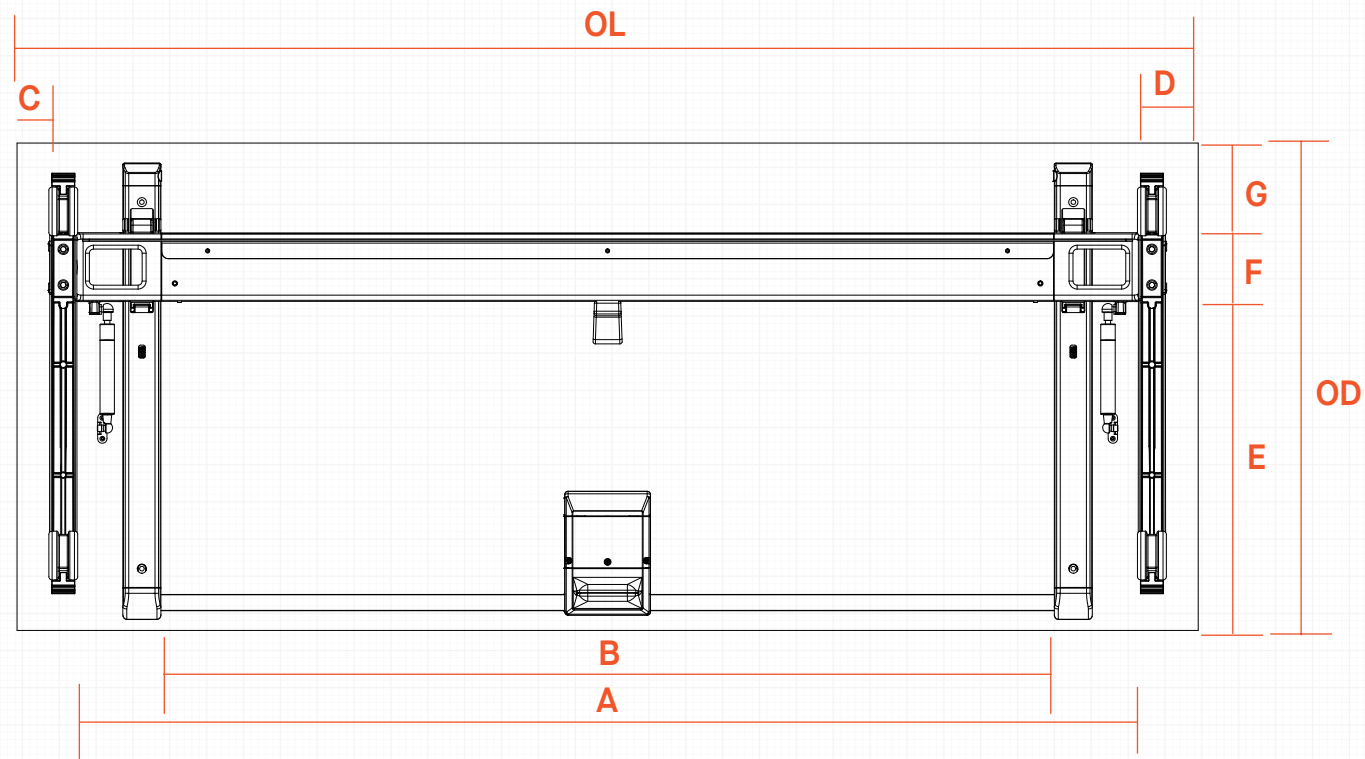
Array can be retro fitted with a modesty panel which is made out of sheet Aluminum.



Linking Kit

Linking kit allows Array tables to be securely connected in a range of different configurations.

ARRAY – Rectangular Tables



- OL - Overall Length
- OD - Overall Depth
- A - Internal distances between legs
- B - Internal distances between outriggers
- C - Distance from edge of table to cable channel
- D - Distance to inside of leg from edge of top
- E - Knee clearance
- F - Depth of main beam
- G - Distance from rear top of desk to main beam
- H - Linking Distance

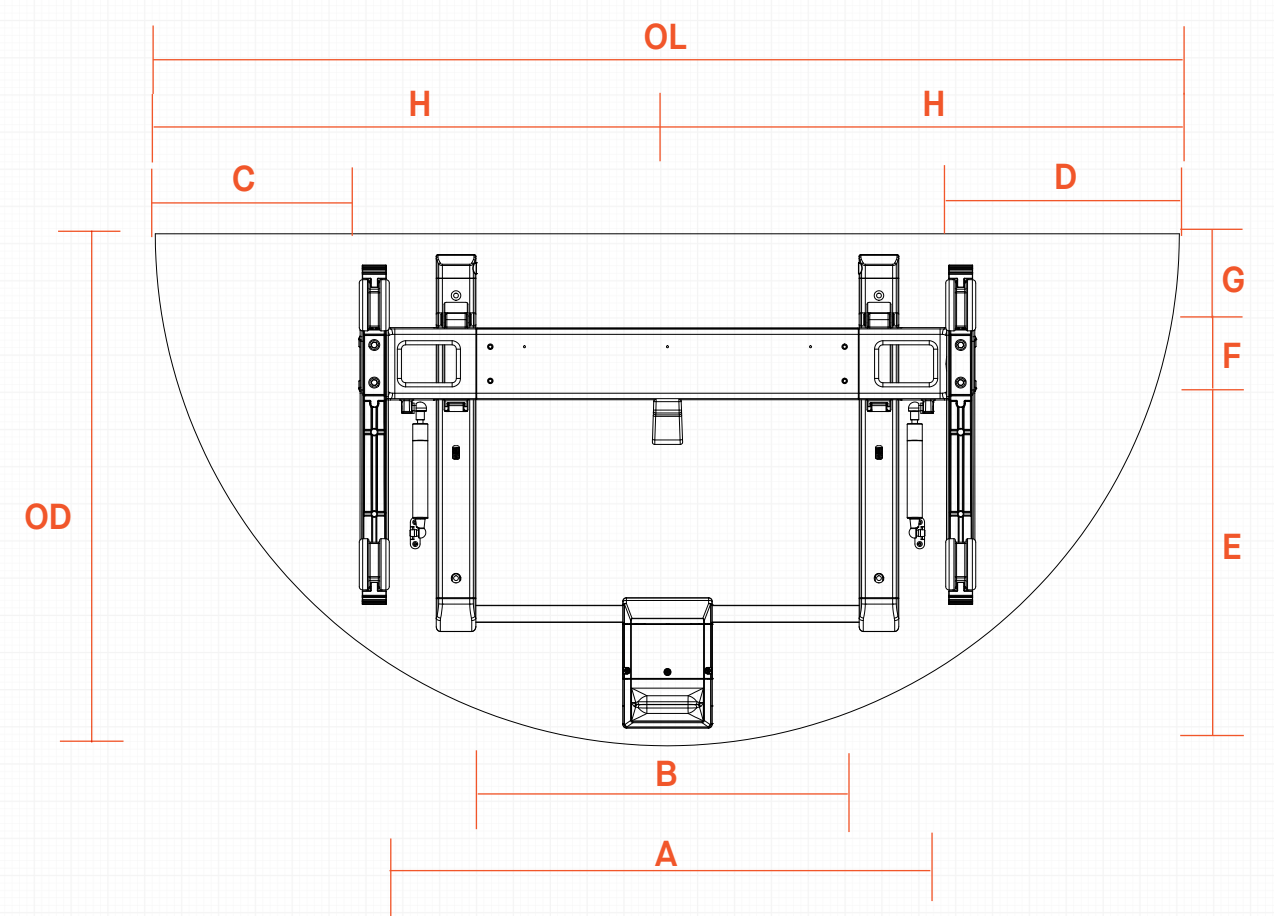
DIMENSIONS BASED ON 24" LEG

OL	48"	54"	60"	66"	72"
OD	24"	24"	24"	24"	24"
A	40.87"	46.89"	52.87"	58.86"	64.88"
B	30.75"	36.75"	42.75"	48.75"	54.75"
C	2"	2"	2"	2"	2"
D	3.5"	3.5"	3.5"	3.5"	3.5"
E	13.5"	13.5"	13.5"	13.5"	13.5"
F	4"	4"	4"	4"	4"
G	6.38"	6.38"	6.38"	6.38"	6.38"
H	24"	24"	24"	24"	24"

DIMENSIONS BASED ON 30" LEG

OL	48"	54"	60"	66"	72"
OD	30"	30"	30"	30"	30"
A	40.87"	46.89"	52.87"	58.86"	64.88"
B	30.75"	36.75"	42.75"	48.75"	54.75"
C	2"	2"	2"	2"	2"
D	3.5"	3.5"	3.5"	3.5"	3.5"
E	19.5"	19.5"	19.5"	19.5"	19.5"
F	4"	4"	4"	4"	4"
G	6.38"	6.38"	6.38"	6.38"	6.38"
H	30"	30"	30"	30"	30"

ARRAY – Half Round Tables

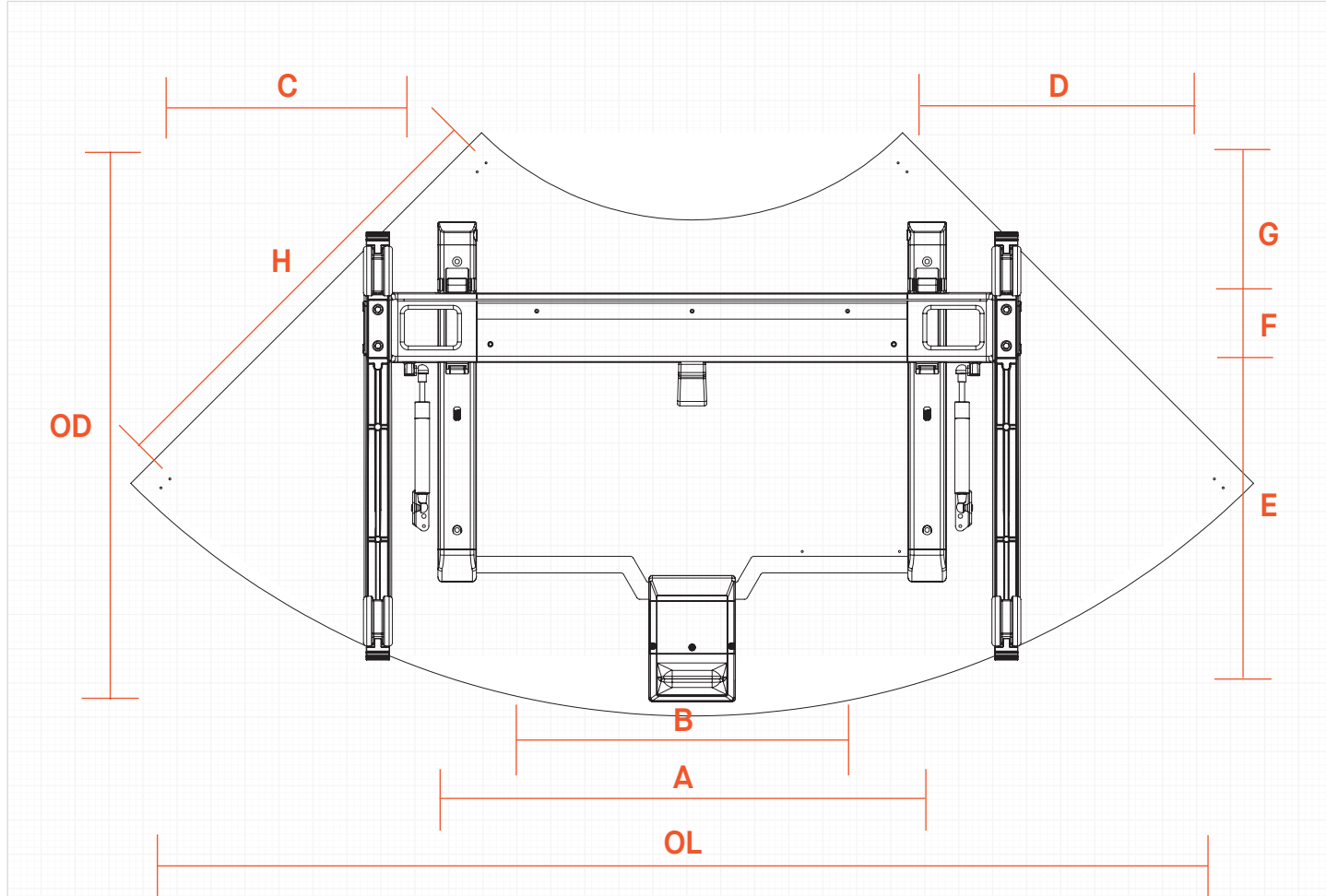


- OL - Overall Length
- OD - Overall Depth
- A - Internal distances between legs
- B - Internal distances between outriggers
- C - Distance from edge of table to cable channel
- D - Distance to inside of leg from edge of top
- E - Knee clearance
- F - Depth of main beam
- G - Distance from rear top of desk to main beam
- H - Linking Distance

DIMENSIONS BASED ON 24" LEG

OL	60"
OD	30"
A	32.25"
B	22"
C	12.25"
D	13.86"
E	20"
F	4"
G	5.83"
H	30"

ARRAY – 120° Crescent Tables

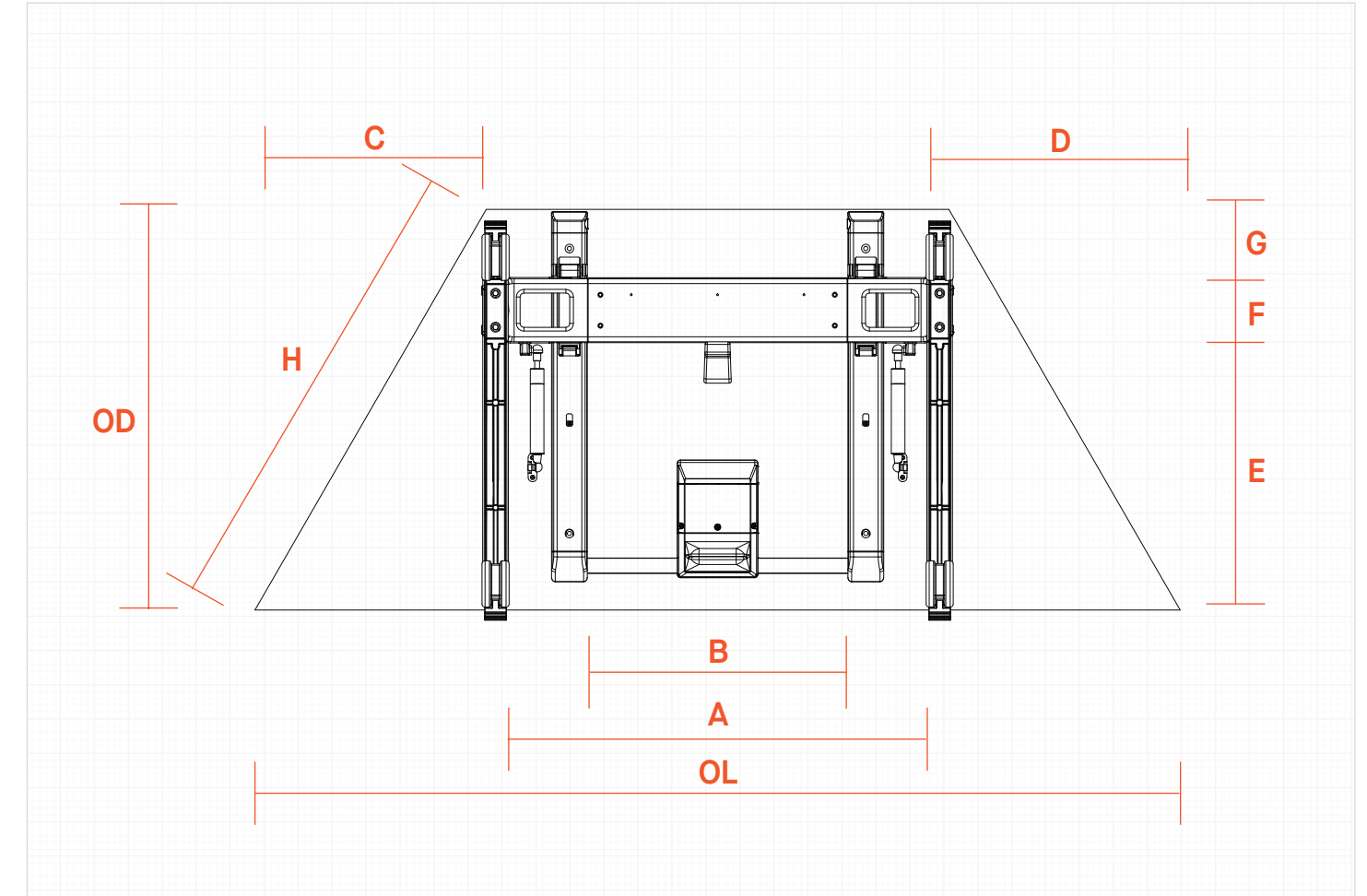


- OL - Overall Length
- OD - Overall Depth
- A - Internal distances between legs
- B - Internal distances between outriggers
- C - Distance from edge of table to cable channel
- D - Distance to inside of leg from edge of top
- E - Knee clearance
- F - Depth of main beam
- G - Distance from rear top of desk to main beam
- H - Linking Distance

DIMENSIONS BASED ON 30" LEG

OL	68"
OD	35.25"
A	35.80"
B	25.68"
C	14.40"
D	16"
E	21.10"
F	4"
G	9.92"
H	30"

ARRAY – Trapezoid Tables

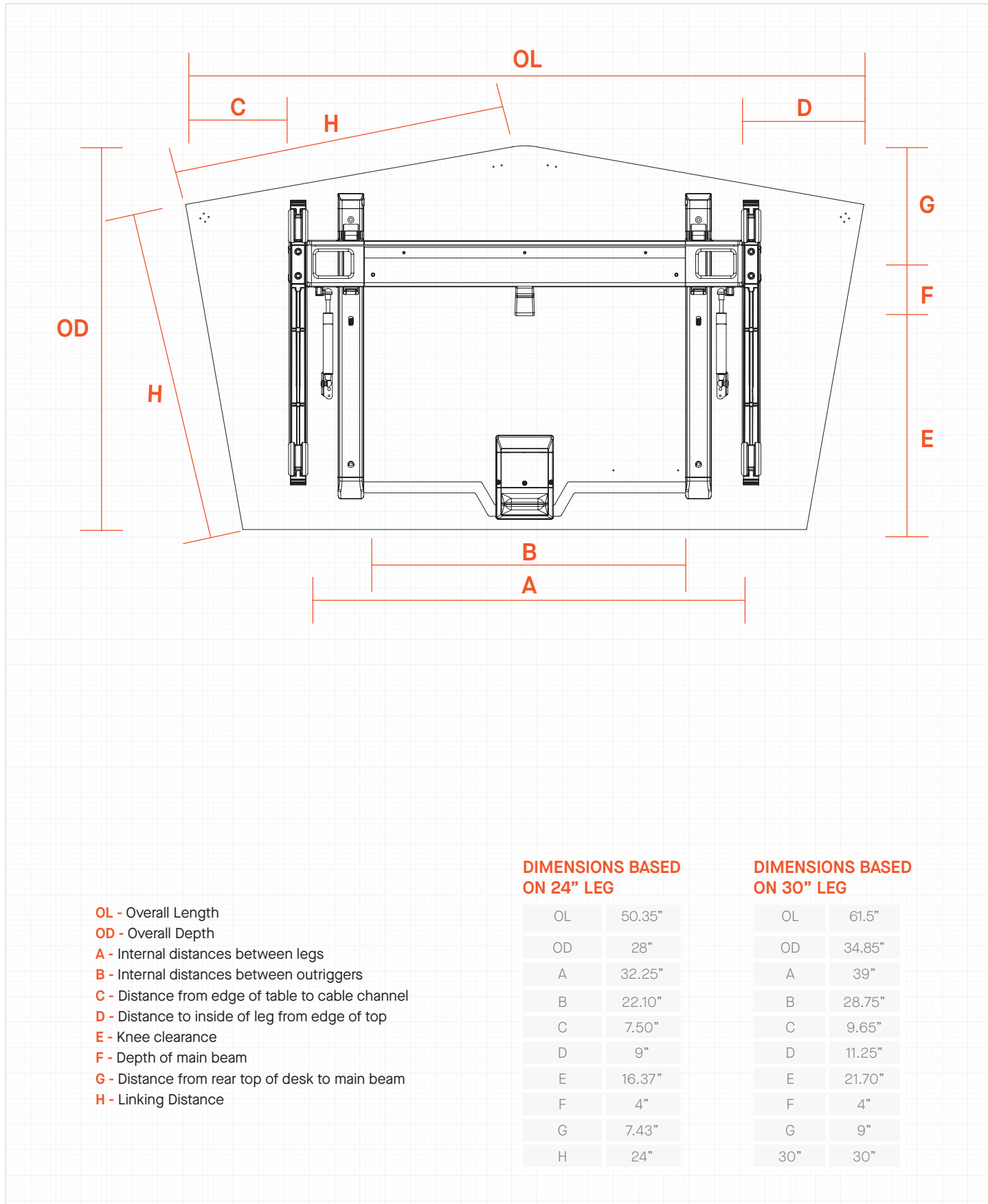


- OL - Overall Length
- OD - Overall Depth
- A - Internal distances between legs
- B - Internal distances between outriggers
- C - Distance from edge of table to cable channel
- D - Distance to inside of leg from edge of top
- E - Knee clearance
- F - Depth of main beam
- G - Distance from rear top of desk to main beam
- H - Linking Distance

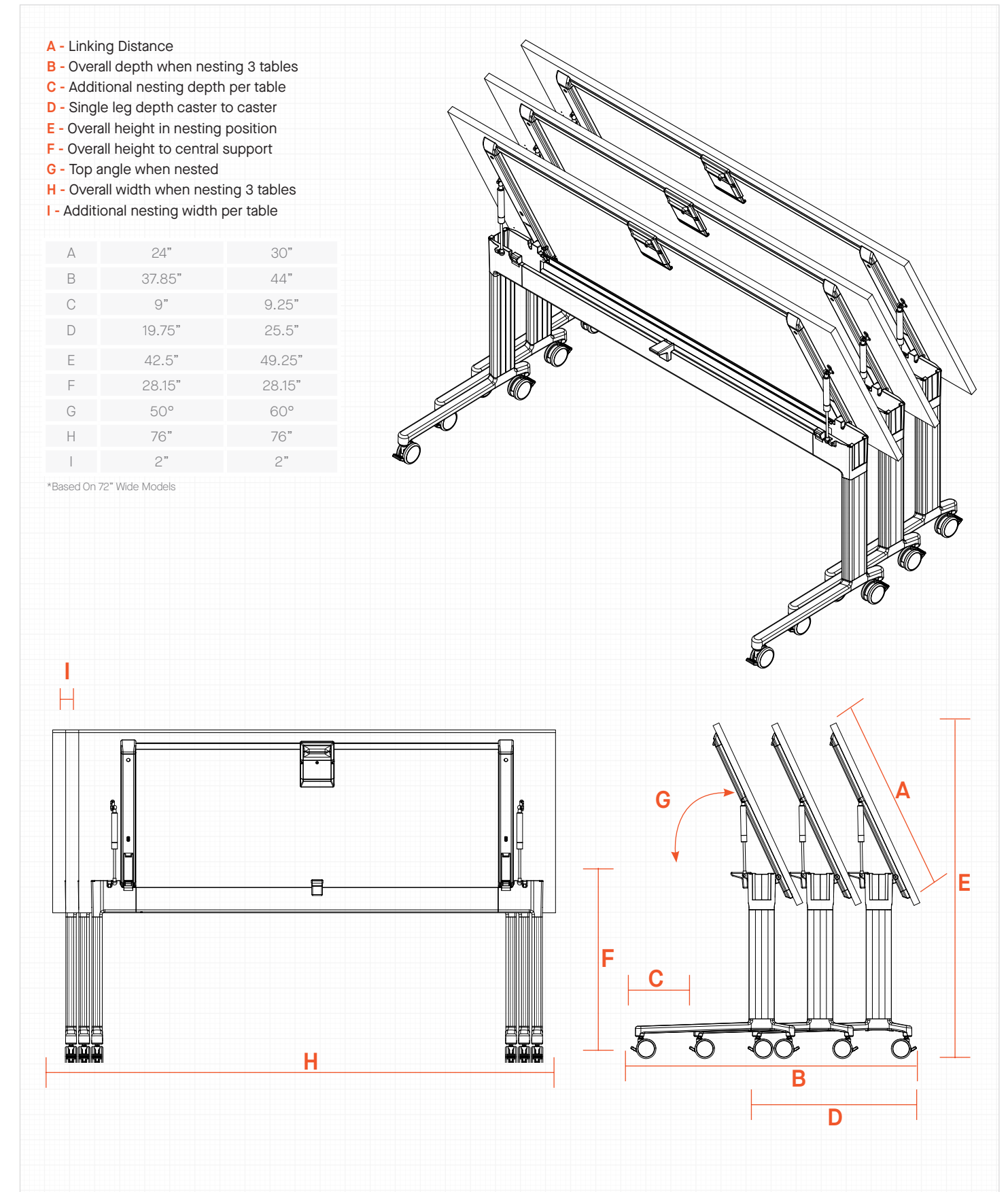
DIMENSIONS BASED ON 30" LEG

OL	60"
OD	26"
A	29"
B	18.75"
C	14"
D	15.5"
E	16.75"
F	4"
G	5"
H	30"

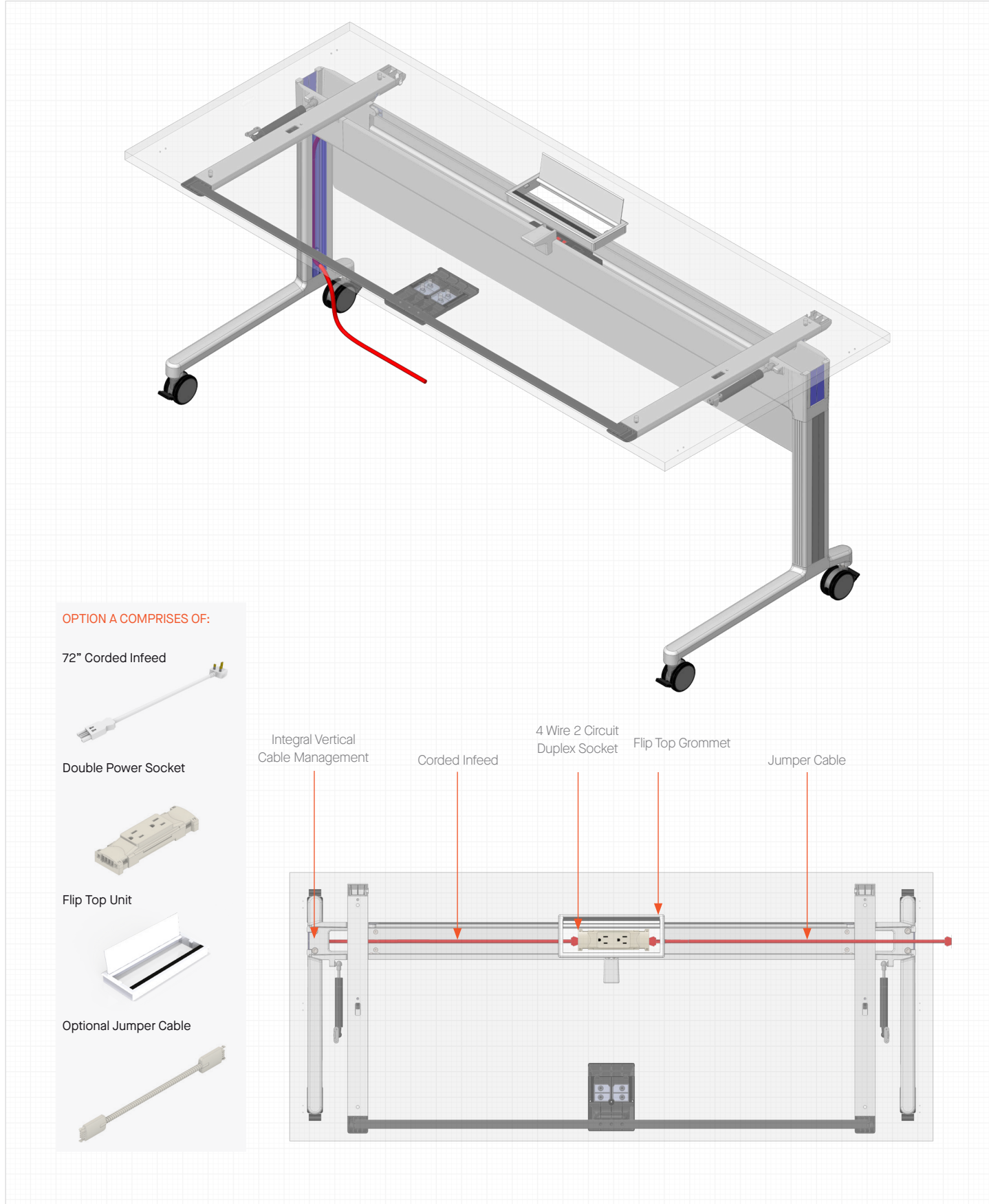
ARRAY – Polygon Tables



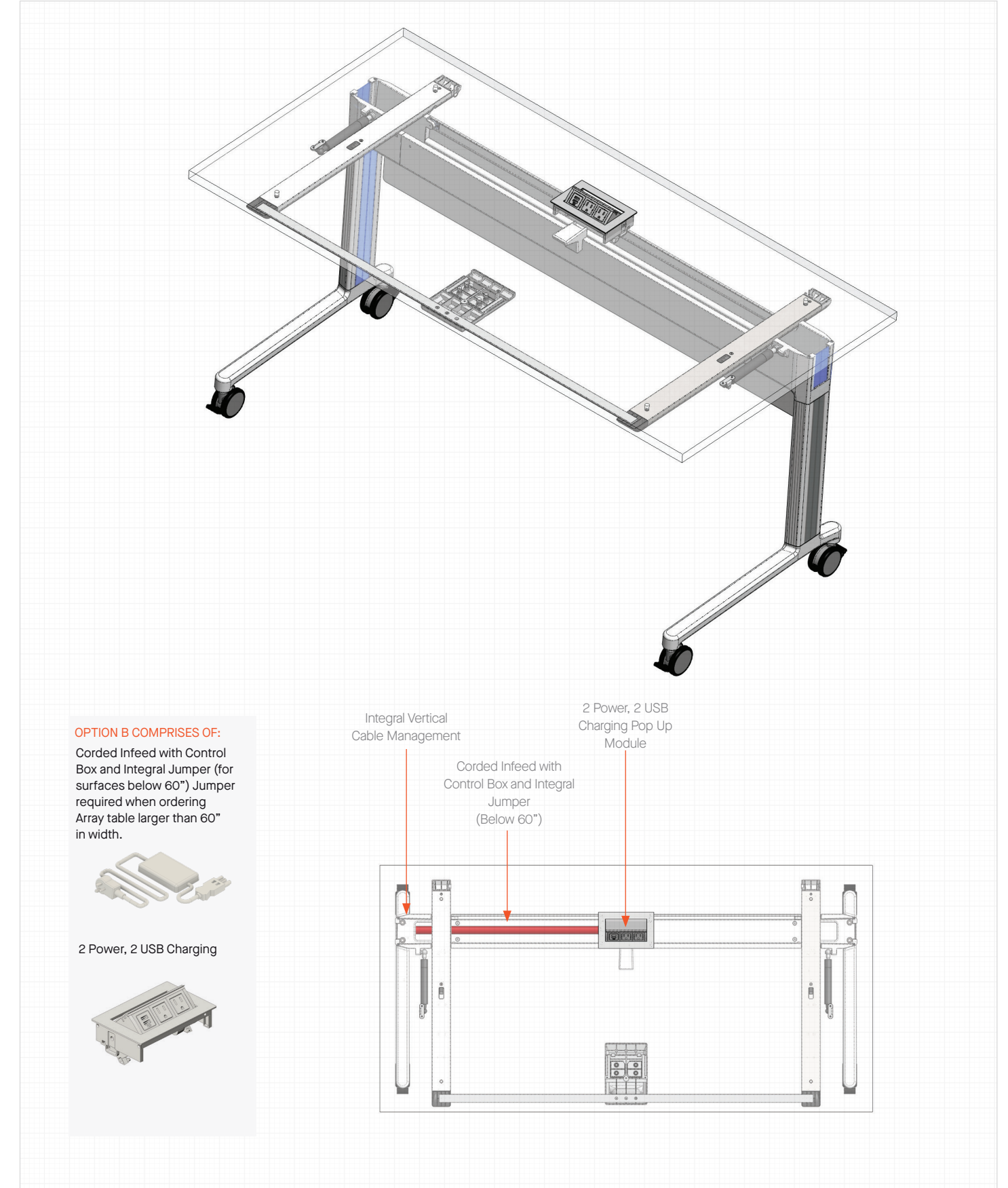
ARRAY – Nesting Tables



ARRAY – Wiring Diagram Option A – "C" Leg Table Power

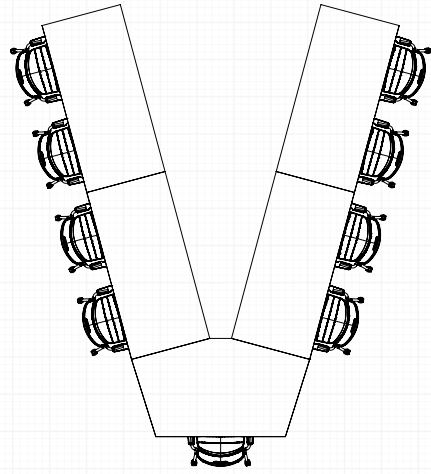


ARRAY – Wiring Diagram Option B – "C" Leg Table Power

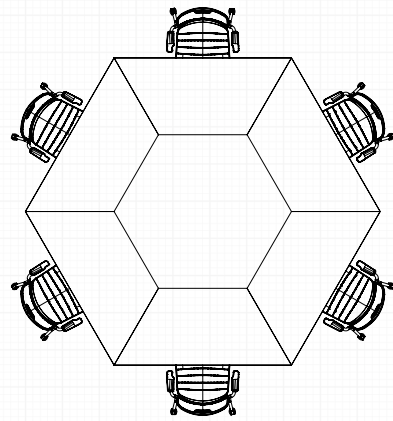


ARRAY – Typical Configurations

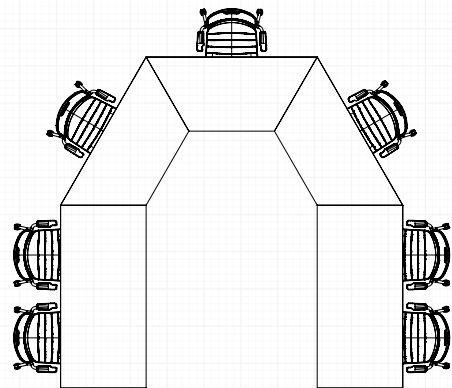
4 × 60" x 30" C leg
1x Large Polygon C leg



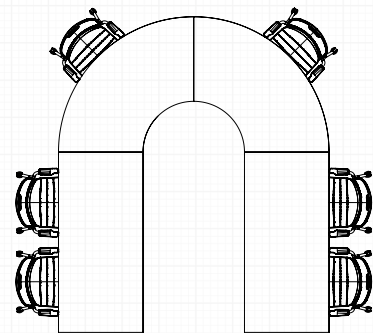
Trapezoidal
6x C leg



2x 60" x 30" C leg
3x Trapezoidal C leg

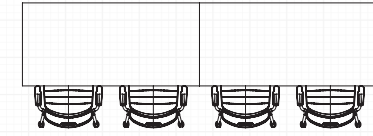
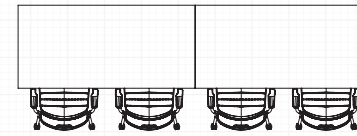
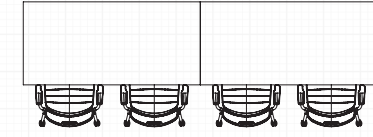
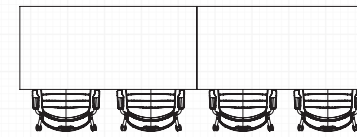
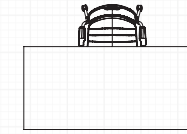


2 × 60" x 30" C leg
2x Crescent C leg



ARRAY – Typical Configurations

9x 60" x 30" C Leg
Array Tables



PRODUCT PRICING

ARRAY




		Width (inch)						
		48" W	54" W	60" W	66" W	68" W	72" W	Power Option
 <p>Array Rectangular 24" Depth</p>	<p>ARC4824RC 1,834</p> <p>SEE NOTES 1 & 2</p>	<p>ARC5424RC 1,885</p> <p>SEE NOTES 1 & 2</p>	<p>ARC6024RC 1,927</p> <p>SEE NOTES 1 & 2</p>	<p>ARC6624RC 2,000</p> <p>SEE NOTES 1 & 2</p>	-	<p>ARC7224RC 2,036</p> <p>SEE NOTES 1 & 2</p>	A, B	Code TFL
	<p>ARC4830RC 1,900</p> <p>SEE NOTES 1 & 2</p>	<p>ARC5430RC 1,953</p> <p>SEE NOTES 1 & 2</p>	<p>ARC6030RC 1,999</p> <p>SEE NOTES 1 & 2</p>	<p>ARC6630RC 2,073</p> <p>SEE NOTES 1 & 2</p>	-	<p>ARC7230RC 2,113</p> <p>SEE NOTES 1 & 2</p>	A, B	Code TFL
 <p>Array Half Round 30" Depth</p>	-	-	<p>ARC6030HR 1,903</p> <p>SEE NOTES 1 & 2</p>	-	-	-	A, B	Code TFL
 <p>Array Crescent 30" Depth</p>	-	-	-	-	<p>ARC6830CR 1,976</p> <p>SEE NOTES 1 & 2</p>	-	A, B	Code TFL

Note 1: If power is required, please add "-A" or "-B" to the end of the table item code.
Power units must be specified and ordered separately.
Note 2: For integrated Aluminum cable riser option, please add \$125 to list price.

All prices listed in USD \$
Ships KD = Knock Down (Assembly Required)

PRODUCT PRICING

ARRAY

		Width (inch)							
		50" W	54" W	60" W	66" W	72" W	74" W	Power Option	
 <p>Array Trapezoid 30" Depth</p>	-	-	<p>ARC6030TP 2,019</p> <p>SEE NOTES 1 & 2</p>	-	-	-	-	A, B	Code TFL
	<p>ARC5028PS 1,892</p> <p>SEE NOTES 1 & 2</p>	-	-	-	-	-	-	A, B	Code TFL
 <p>Array Polygon 30" Depth</p>	-	-	<p>ARC6032PL 1,984</p> <p>SEE NOTES 1 & 2</p>	-	-	-	-	A, B	Code TFL
 <p>Linking Kit</p>	<p>HPLKBKT 92</p> <p>SEE NOTE 3</p>							Code Price	

Note 1: If power is required, please add "-A" or "-B" to the end of the table item code.
Power units must be specified and ordered separately.
Note 2: For integrated Aluminum cable riser option, please add \$100 to list price.
Note 3: 1x Linking Kit required per table connection.

All prices listed in USD \$
Ships KD = Knock Down (Assembly Required)

Finishes & Features Available...

TFL (1")	HD Highland Oak UM Urban Maple WH White WK Winter Oak SO Strata Oak CW Carini Walnut DN Denim LY Clay LG Light Gray
Leg Colors	Silver White Black

To specify your table...

1. Think through the configuration of Table you require
2. Select the Codes of the individual items you need to achieve your configuration
3. Choose Finishes where appropriate: 'top' finishes / frame color / fabric color
4. Consider supporting product, cable management, and accessories

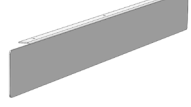
PRODUCT PRICING

ARRAY – Optional Extras

Array Modesty Panel for Rectangular Top



Array Modesty Panel for Shaped Tops



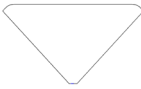
Array Quadrant

45° Degree



Array Quadrant

90° Degree



Width (inch)					Code	Price
48" W	54" W	60" W	66" W	72" W		
ARCM48RC 202	ARCM54RC 223	ARCM60RC 235	ARCM66RC 258	ARCM72RC 296		
SEE NOTE 1	SEE NOTE 1	SEE NOTE 1	SEE NOTE 1	SEE NOTE 1		
Half Round	Crescent	Trapezoid	Polygon Small	Polygon Large		
ARCMHR 176	ARCMCR 176	ARCMTP 165	ARCMPS 199	ARCMPL 208	Code	Price
SEE NOTE 1	SEE NOTE 1	SEE NOTE 1	SEE NOTE 1	SEE NOTE 1		

Depth (inch)		Code	TFL
24" D	30" D		
ARQ2445 215	ARQ3045 238		
SEE NOTE 2	SEE NOTE 2		
ARQ2490 234	ARQ3090 267	Code	TFL
SEE NOTE 2	SEE NOTE 2		

Note 1: Available in Black, White, and Silver. Please specify when ordering.

Note 2: Please specify TFL when ordering. Quadrants supplied with linking brackets.

All prices listed in USD \$

Ships KD = Knock Down (Assembly Required)

Finishes & Features Available...

TFL (1")	HD Highland Oak UM Urban Maple WH White WK Winter Oak SO Strata Oak CW Carini Walnut DN Denim LY Clay LG Light Gray
Leg Colors	Silver White Black

PRODUCT PRICING

ARRAY – Electrics

Power Option A

Power Unit for Training Tables



72" Corded Infeed

Required for Option A
Rated @ 20amp,
1 Circuit System

*If a 15 amp is required, please contact your CS representative

20 amp PLUG-IN view



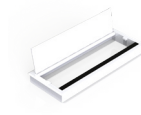
Jumper Cable

For connecting power from one Array table to another



Flip Up Lid for Option A

Flip up unit, lid only



Power Option B

Power Unit for Training Tables

For tables 66" W and larger: The max amount of tables that can be daisy-chained per infeed is 4.

For tables 60" W and smaller: The max amount of tables that can be daisy-chained per infeed is 8.



72" Corded Infeed

Required for Option B



Jumper Cable

For connecting power from one Array table to another



Width (inch)					Code	Price
48" W	54" W	60" W	66" W	72" W		
EKARSB4W2C 57						
AR72WINF42 200					Code	Price
EKARSBJ48 86	EKARSBJ54 92	EKARSBJ60 96	EKARSBJ66 103	EKARSBJ72 109	Code	Price
ARCUSMOP 183					Code	Price
Width (inch)					Code	Price
72" W		120" W				
ARCUSM2P 475						
SEE NOTES 1 & 3						
ARIQINF72 475			ARIQINF120 489		Code	Price
ARIQJUMP 101					Code	Price
SEE NOTE 2						

Note 1: Available in Black, White, and Silver. Please specify when ordering.

Note 2: Jumper required when ordering Array table larger than 60" width.

Note 3: Every jumper counts as a table due to its resistance load.

All prices listed in USD \$

Ships KD = Knock Down (Assembly Required)

To specify your table...

1. Think through the configuration of Table you require
2. Select the Codes of the individual items you need to achieve your configuration
3. Choose Finishes where appropriate: 'top' finishes / frame color / fabric color
4. Consider supporting product, cable management, and accessories

COLLABORATIVE TABLES

With every Senator design comes a great deal of thought. The design process begins way before pencil reaches paper, beginning with looking at you. We look at how you sit, reach, move and work to create a design which not only looks beautiful, but is a pleasure to use too.

Behind every Senator product is a fusion of intelligent thinking and innovative engineering to create products which support people whether they're focusing, collaborating, presenting, or organizing.

COLLABORATIVE TABLES

STANDARD FEATURES (*Selected models only)

- Rigid cast Aluminum frame
- Full integrated cable management
- Fully lockable brake casters
- Nesting capabilities
- Gas assisted lift operation
- Single handle to unlock
- Integrated flexible swipe-in cable risers
- 1" TFL tops

SPECIFIABLE FEATURES

- Aluminum cable riser

OPTIONAL EXTRAS

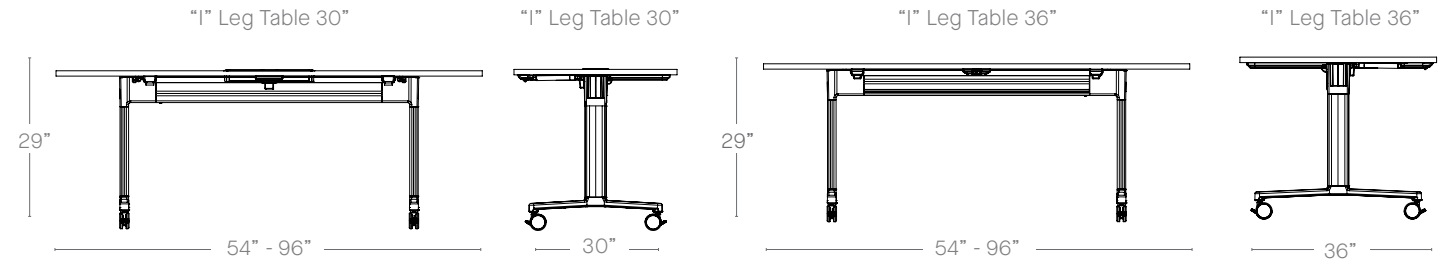
- Below desk power complete with flip unit
- In-surface power unit
- Flip in-surface power unit

PERFORMANCE STANDARDS

Designed to conform to and where applicable is tested to the following standards:

- BIFMA X5.5 × 2014
- Safety, Durability, and Structural Performance

DIMENSIONS



Rectangular
Widths: 54" - 96"
Depths: 30" & 36"

COLLABORATIVE TABLES

● Available
 □ Not available

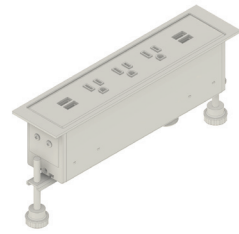
Collaborative Rectangular Table
 30" & 36" depths



Depth (in)	54"	60"	66"	72"	78"	84"	90"	96"
30" D	●	●	●	●	●	●	●	●
36" D	●	●	●	●	●	●	●	●

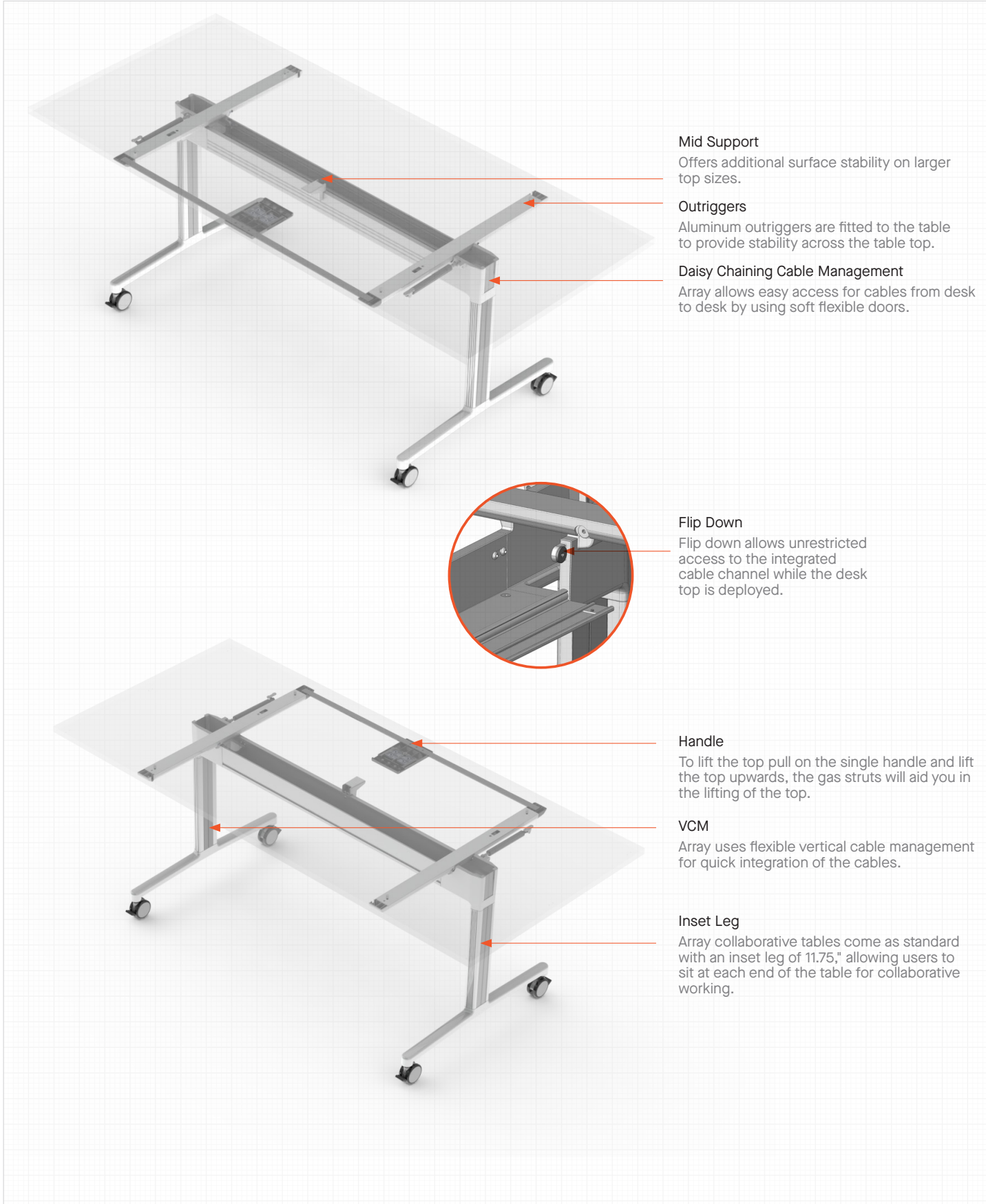
"I" Leg Table In-Surface Power
 Option C

3 Power, 2 USB Charging



Large grid area for notes.

COLLABORATIVE TABLES



Mid Support
Offers additional surface stability on larger top sizes.

Outriggers
Aluminum outriggers are fitted to the table to provide stability across the table top.

Daisy Chaining Cable Management
Array allows easy access for cables from desk to desk by using soft flexible doors.

Flip Down
Flip down allows unrestricted access to the integrated cable channel while the desk top is deployed.

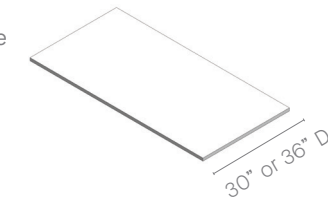
Handle
To lift the top pull on the single handle and lift the top upwards, the gas struts will aid you in the lifting of the top.

VCM
Array uses flexible vertical cable management for quick integration of the cables.

Inset Leg
Array collaborative tables come as standard with an inset leg of 11.75," allowing users to sit at each end of the table for collaborative working.

WORK SURFACES

One top is provided per table



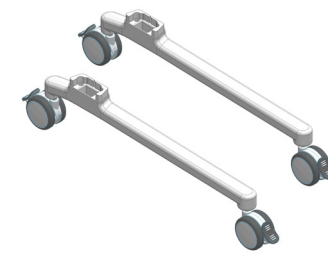
1 leg table tops are available in 30" or 36" Depths and lengths of 54", 60", 66", 72", 78", 84", 90" and 96".

Tops are available in 1" TFL.

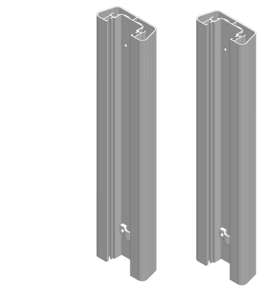
TFL tops have a 2mm laser edge band all round.



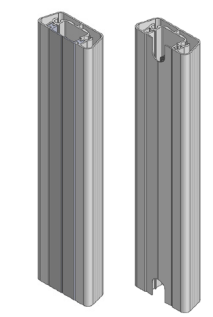
FRAMEWORK



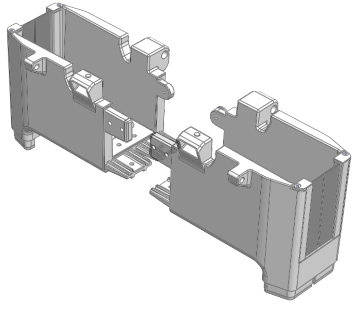
Feet
Array feet are made from die cast aluminum. Feet come in two depths 24" & 30" depending upon the sizes of top ordered. All feet come standard with braked large casters.



VCM
The extruded aluminium Vertical Cable Manager allows cables to be managed up into the cable channel.



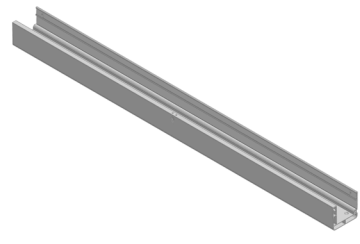
VCM Covers
The Array Vertical Cable Manager comes as standard with flexible VCM covers, to easily retain cables, or the option of a push fit Aluminum cover.



Integral cable manager ends
The main beam ends allow connection between the VCM and Cable channel.



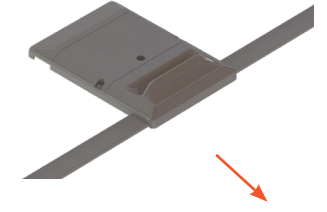
Gas Struts
Array is fitted with gas assisted lifting to help when operating the table and nesting.



Integral Cable Channel
The main beam assembly comprises of the main channel and magnetic drop, both parts are extruded aluminum. The main beam varies in length depending on the table size.



Outriggers
The outriggers support the table top at both ends. The outrigger also provides a secure connection between the top and main beam ends.



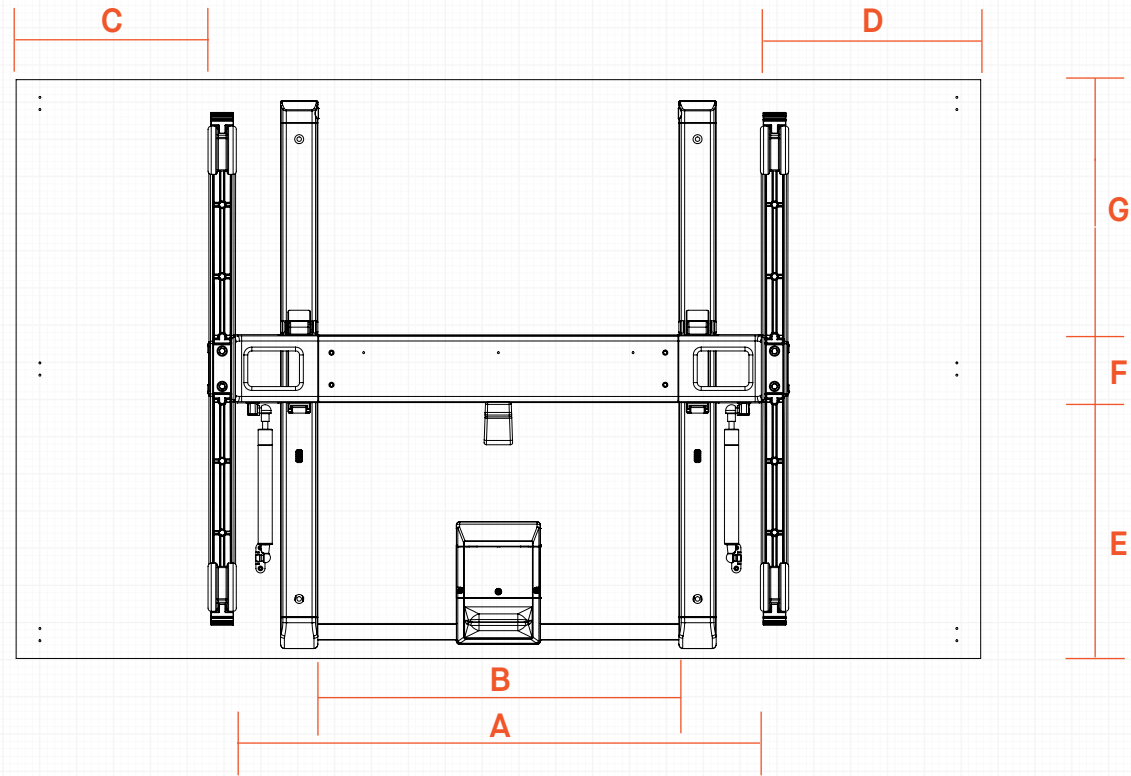
Single handle
The single handle synchronizes the two outrigger locks. This single operation of the handle will allow the latches to be disengaged easily.

ELECTRICS



Integrated Electrics
Array can be fitted with integrated power in the table.

COLLABORATIVE TABLES – Rectangular Tables



DIMENSIONS BASED ON 30" LEG

OL - Overall Length	OL	54"	60"	66"	72"	78"	84"	90"	96"
OD - Overall Depth	OD	30"	30"	30"	30"	30"	30"	30"	30"
A - Internal distances between legs	A	27.25"	33.25"	39.25"	45.25"	51.25"	57.25"	63.25"	69.25"
B - Internal distances between outriggers	B	17"	22"	28"	34"	54.75"	59.65"	66.75"	72.75"
C - Distance from edge of table to cable channel	C	11.75"	11.75"	11.75"	11.75"	11.75"	11.75"	11.75"	11.75"
D - Distance to inside of leg from edge of top	D	13.5"	13.5"	13.5"	13.5"	13.5"	13.5"	13.5"	13.5"
E - Knee clearance	E	13"	13"	13"	13"	13"	13"	13"	13"
F - Depth of main beam	F	4"	4"	4"	4"	4"	4"	4"	4"
G - Distance from rear top of desk to main beam	G	13"	13"	13"	13"	13"	13"	13"	13"
H - Linking Distance	H	30"	30"	30"	30"	30"	30"	30"	30"

DIMENSIONS BASED ON 36" LEG

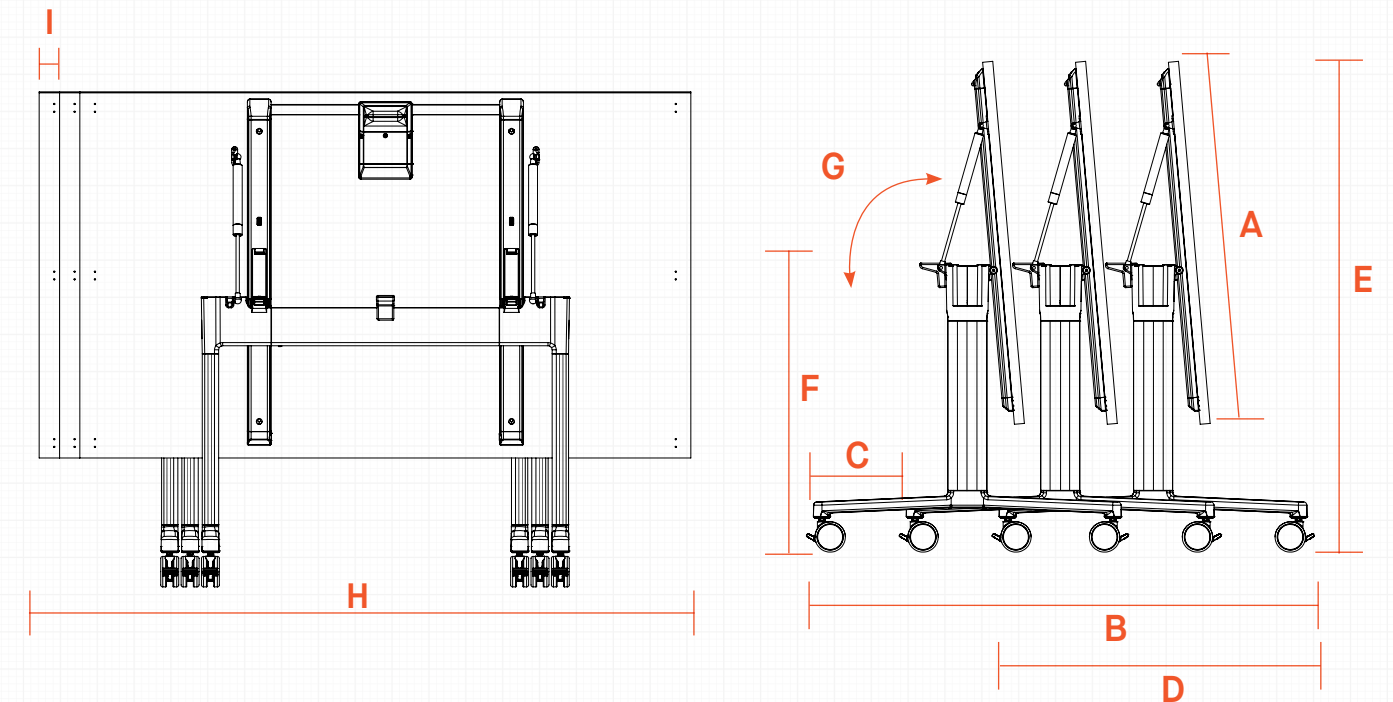
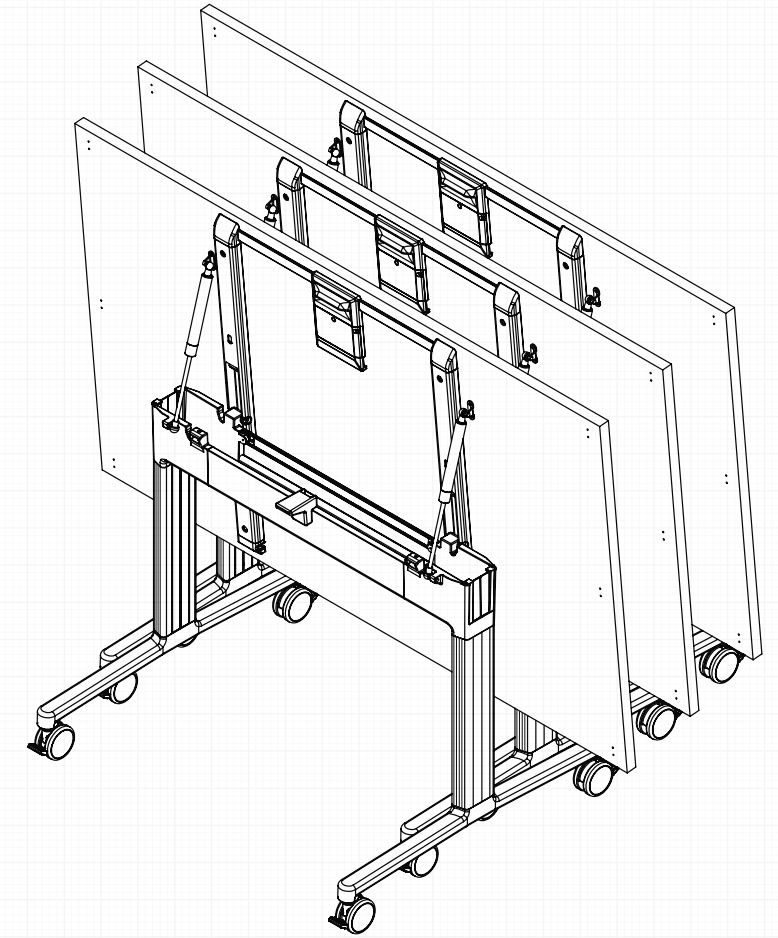
OL	54"	60"	66"	72"	78"	84"	90"	96"
OD	36"	36"	36"	36"	36"	36"	36"	36"
A	27.25"	33.25"	39.25"	45.25"	51.25"	57.25"	63.25"	69.25"
B	17"	22"	28"	34"	54.75"	59.75"	66.75"	72.75"
C	11.75"	11.75"	11.75"	11.75"	11.75"	11.75"	11.75"	11.75"
D	13.4"	13.4"	13.4"	13.4"	13.4"	13.4"	13.4"	13.4"
E	16"	16"	16"	16"	16"	16"	16"	16"
F	4"	4"	4"	4"	4"	4"	4"	4"
G	16"	16"	16"	16"	16"	16"	16"	16"
H	36"	36"	36"	36"	36"	36"	36"	36"

COLLABORATIVE TABLES – Nesting Tables

- A - Linking Distance
- B - Overall depth when nesting 3 tables
- C - Additional nesting depth per table
- D - Single leg depth caster to caster
- E - Overall height in nesting position
- F - Overall height to central support
- G - Top angle when nested
- H - Overall width when nesting 3 tables
- I - Additional nesting width per table

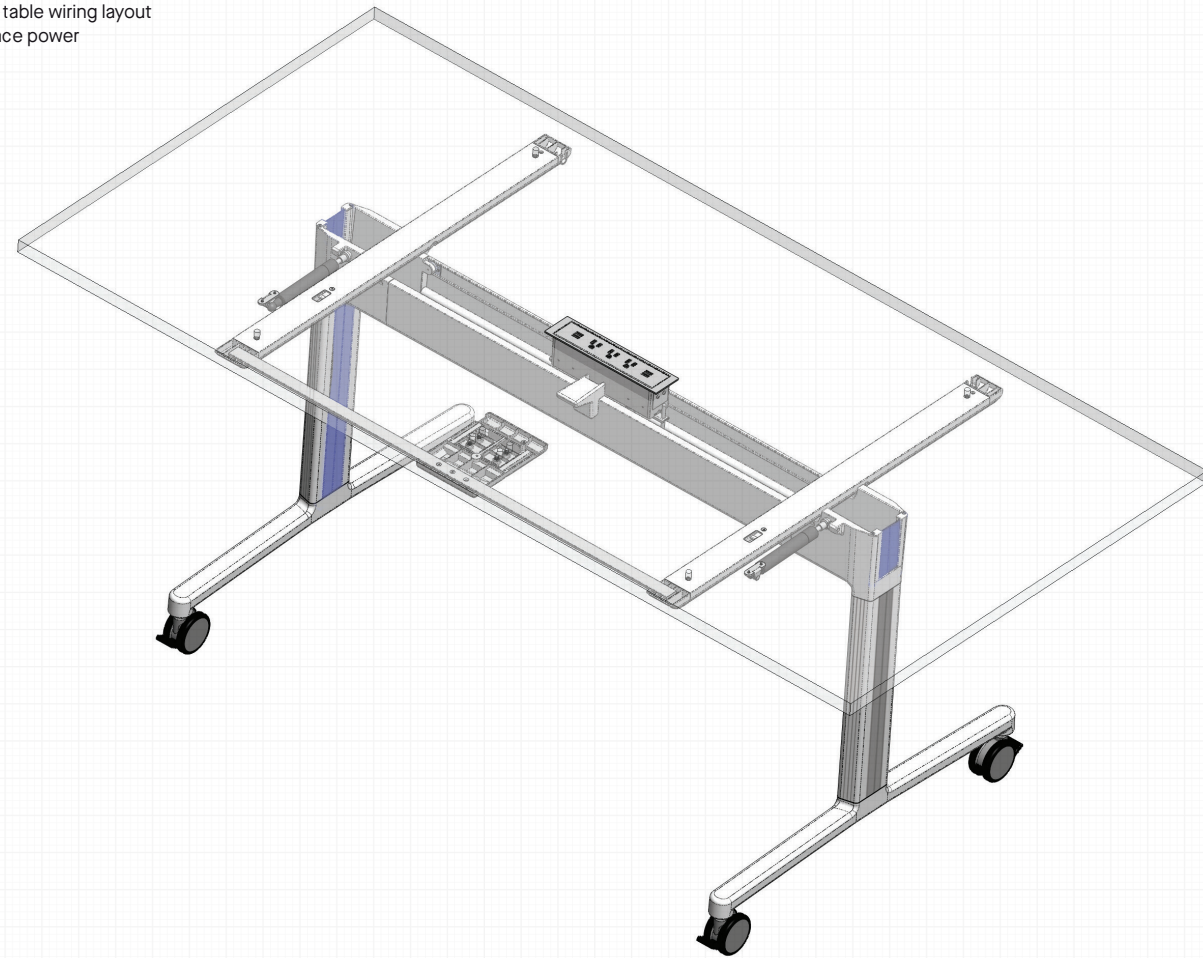
A	24"	30"
B	37.85"	44"
C	9"	9.25"
D	19.75"	25.5"
E	42.5"	49.25"
F	28.15"	28.15"
G	50°	60°
H	76"	76"
I	2"	2"

*Based On 72" Wide Models



ARRAY – "I" Leg Table Power Option C

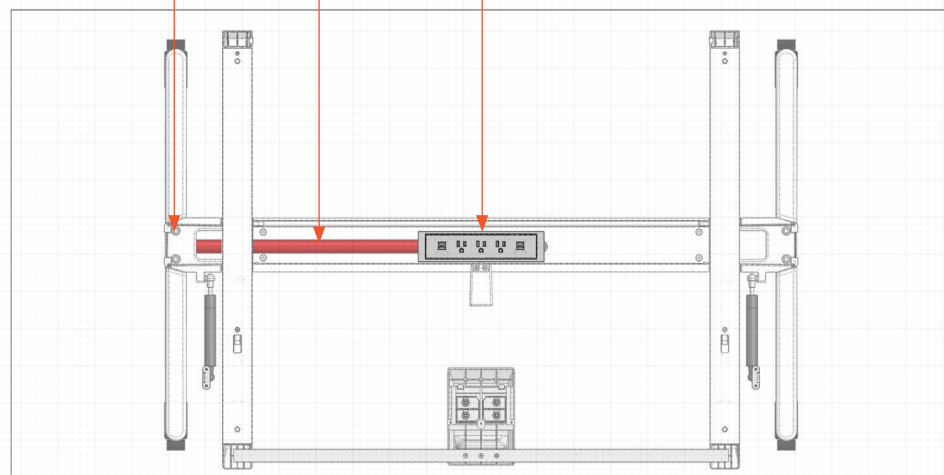
Typical table wiring layout
In surface power



Integral Vertical
Cable Management

3 Power, 2 USB
Charging In Table Power

Corded Infeed



OPTION C COMPRISES OF:
In-Surface Power



COLLABORATIVE TABLES

Array Rectangular
30" Depth



Array Rectangular
36" Depth



Power Option C
Built in Power Unit
for Project Tables



Width (inch)								Power Option	Code
54" W	60" W	66" W	72" W	78" W	84" W	90" W	96" W		
ARI5430RC 1,884	ARI6030RC 1,923	ARI6630RC 1,965	ARI7230RC 2,024	ARI7830RC 2,072	ARI8430RC 2,113	ARI9030RC 2,195	ARI9630RC 2,282	C	TFL
SEE NOTES 1 & 2	SEE NOTES 1 & 2	SEE NOTES 1 & 2	SEE NOTES 1 & 2	SEE NOTES 1 & 2	SEE NOTES 1 & 2	SEE NOTES 1 & 2	SEE NOTES 1 & 2		
ARI5436RC 1,956	ARI6036RC 1,999	ARI6636RC 2,043	ARI7236RC 2,406	ARI7836RC 2,166	ARI8436RC 2,212	ARI9036RC 2,292	ARI9636RC 2,377	C	TFL
SEE NOTES 1 & 2	SEE NOTES 1 & 2	SEE NOTES 1 & 2	SEE NOTES 1 & 2	SEE NOTES 1 & 2	SEE NOTES 1 & 2	SEE NOTES 1 & 2	SEE NOTES 1 & 2		
ARIUSM3P 520									Code Price
SEE NOTE 3									

Note 1: If power is required, please add "-C" to the end of the table item code. Power units must be specified and ordered separately.
 Note 2: For integrated Aluminum cable riser option, please add \$125 to list price.
 Note 3: Available in Black, White, and Silver. Please specify when ordering.

All prices listed in USD \$
 Ships KD = Knock Down (Assembly Required)

Finishes & Features Available...

TFL (1")	HD Highland Oak UM Urban Maple WH White WK Winter Oak SO Strata Oak CW Carini Walnut DN Denim LY Clay LG Light Gray
Leg Colors	Silver White Black

To specify your table...

1. Think through the configuration of Table you require
2. Select the Codes of the individual items you need to achieve your configuration
3. Choose Finishes where appropriate: 'top' finishes / frame color / fabric color
4. Consider supporting product, cable management, and accessories

FINISHES

ARRAY TABLES FINISHES – Standard Top Finishes



Carini Walnut



Strata Oak



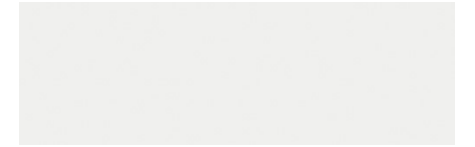
Urban Maple



Highland Oak



Winter Oak



White



Light Gray



Denim

Color images above are for reference only. Please verify with actual color sample.

ARRAY



Ply Effect Edging

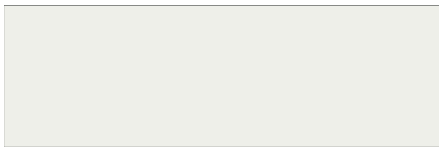
CONTRASTING EDGE BAND

All TFL (Edge 69) tops come with a matching edge band as standard. Contrasting edge band can be specified.

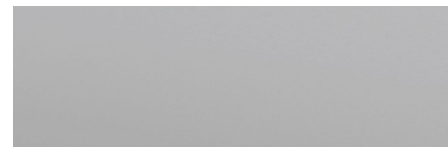
Please contact customer service if you require a contrasting edge band.



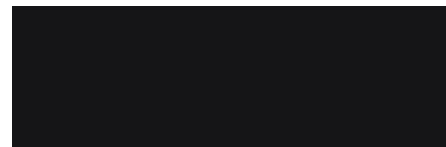
FRAME / LEG FINISHES



White



Silver



Black

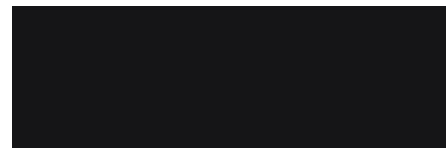
FLEXIBLE CABLE RISER FINISHES



Gray with White Frame



Gray with Silver Frame



Black with Black Frame

